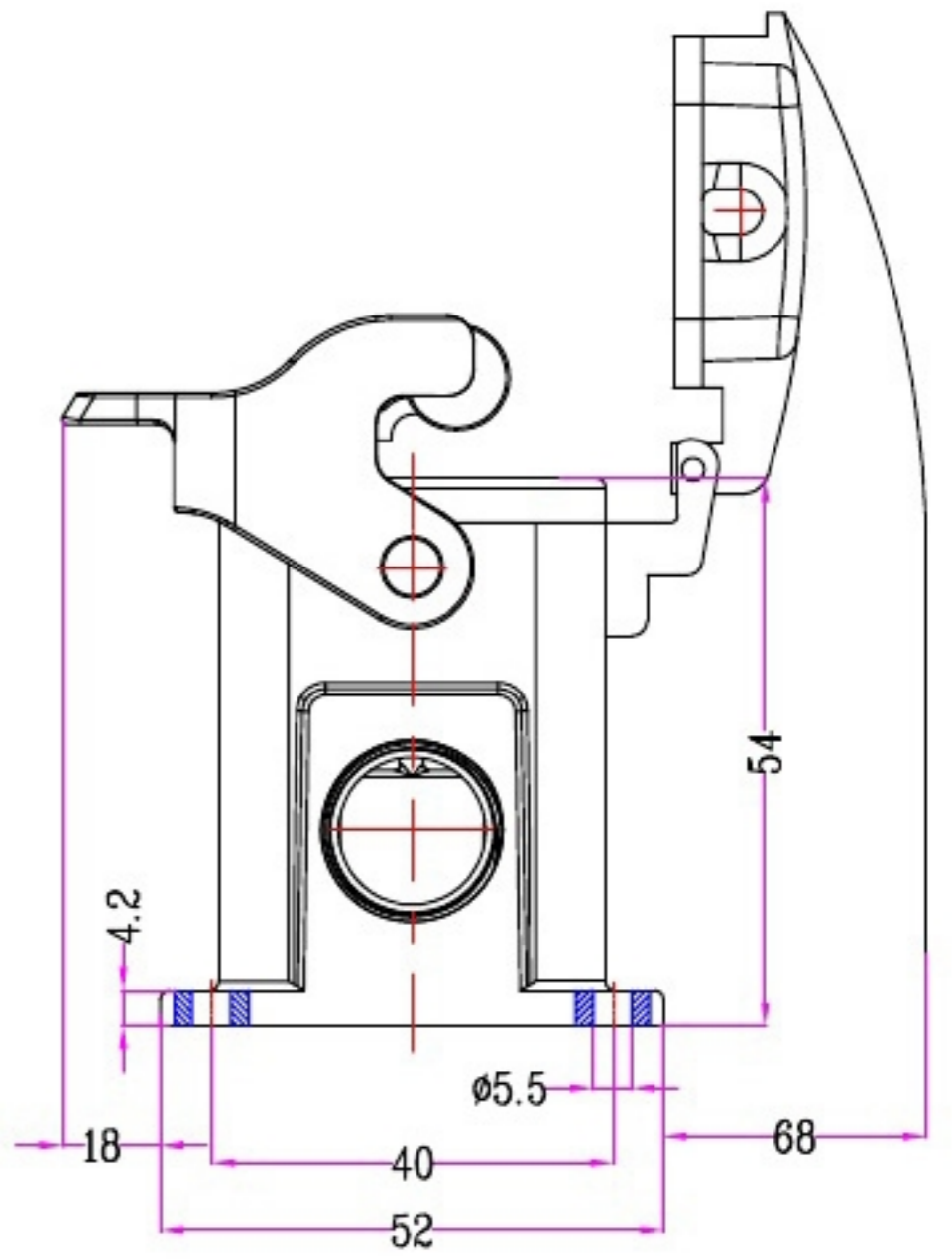
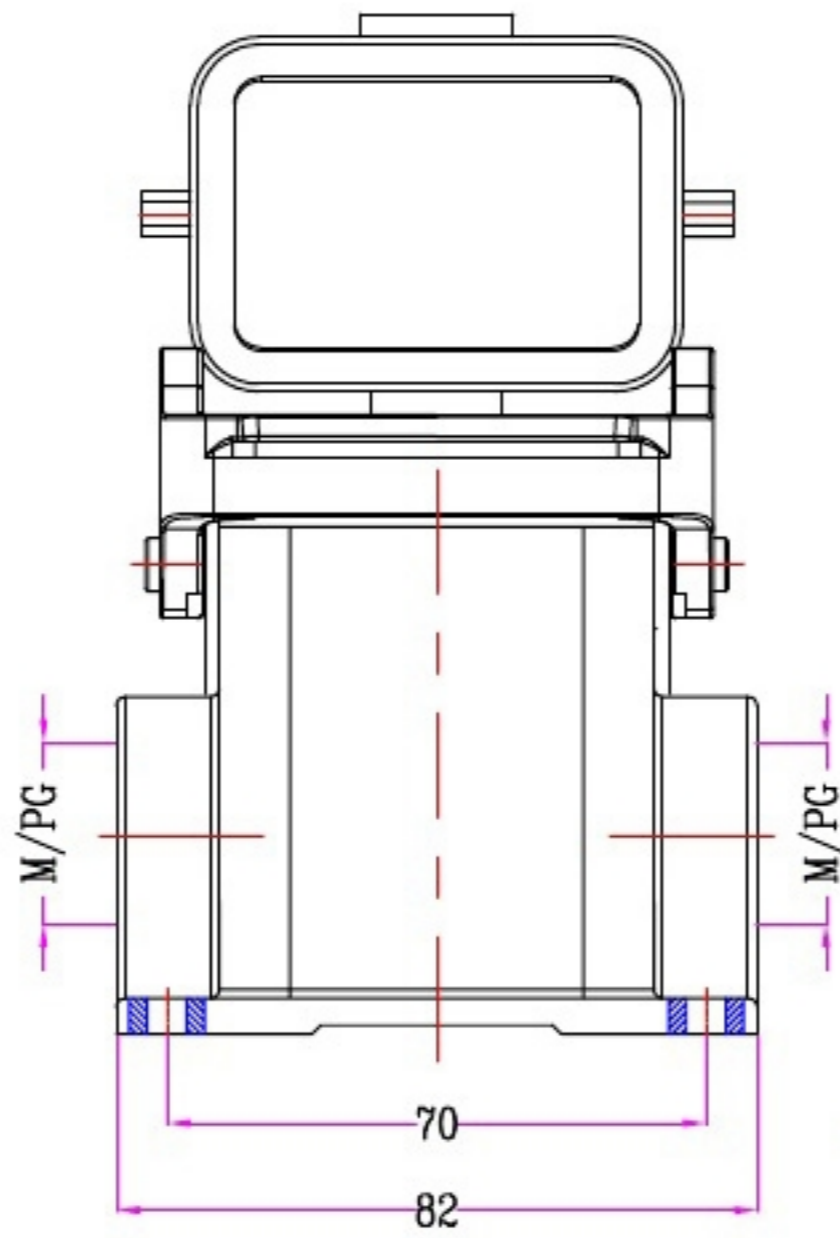

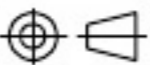



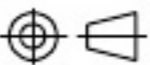
REVISION DATA				
SYM	ECN	DESCRIPTION	DATE	APPROVED



	SIGNATURE	DATE	Units	mm	 宁波欧科瑞连接器有限公司 NINGBO OKERUI CONNECTOR CO.,LTD.	
DRAW			Size	A4	TYPE NAME HZW-H6B-SG-CV-1PL/RM-M/PG	
DESIGN			Scale		Part number	84 321 006 XXX REV
CHECK			Sheet	1/2	File path	OKR.06B.H06BL A0
APPROVE			Proj.			

1	2	3	4	5	6	7	8	
A B C	Identification	Type name	Part number	Thread(M/PG)	Lever type	REVISION DATA		
	Housings Surface mounting With thermo-Plastic cover	HZW-H6B-SG-CV-1PL/R-M20	84 321 006 020	M20	Plastic and Metal	SYM	ECN	DESCRIPTION
		HZW-H6B-SG-CV-1PL/R-2M20	84 321 006 220	2M20	Plastic and Metal			DATE
		HZW-H6B-SG-CV-1PL/R-M25	84 321 006 025	M25	Plastic and Metal			APPROVED
		HZW-H6B-SG-CV-1PL/R-2M25	84 321 006 225	2M25	Plastic and Metal			
		HZW-H6B-SG-CV-1PL/R-PG13.5	84 321 006 013	PG13.5	Plastic and Metal			
		HZW-H6B-SG-CV-1PL/R-2PG13.5	84 321 006 213	2PG13.5	Plastic and Metal			
		HZW-H6B-SG-CV-1PL/R-PG16	84 321 006 016	PG16	Plastic and Metal			
		HZW-H6B-SG-CV-1PL/R-2PG16	84 321 006 216	2PG16	Plastic and Metal			
	B	HZW-H6B-SG-CV-1PL/M-M20	84 321 006 020	M20	Metal			
		HZW-H6B-SG-CV-1PL/M-2M20	84 321 006 220	2M20	Metal			
		HZW-H6B-SG-CV-1PL/M-M25	84 321 006 025	M25	Metal			
		HZW-H6B-SG-CV-1PL/M-2M25	84 321 006 225	2M25	Metal			
		HZW-H6B-SG-CV-1PL/M-PG13.5	84 321 006 013	PG13.5	Metal			
		HZW-H6B-SG-CV-1PL/M-2PG13.5	84 321 006 213	2PG13.5	Metal			
		HZW-H6B-SG-CV-1PL/M-PG16	84 321 006 016	PG16	Metal			
		HZW-H6B-SG-CV-1PL/M-2PG16	84 321 006 216	2PG16	Metal			
C								

D							
E							
F							

	SIGNATURE	DATE	Units	mm	 宁波欧科瑞连接器有限公司 NINGBO OKERUI CONNECTOR CO.,LTD.
DRAW			Size	A4	
DESIGN			Scale		TYPE NAME
CHECK			Sheet	2/2	Part number
APPROVE			Proj.		File path
					84 321 006 XXX
					OKR.06B.H06BL
					REV
					A0