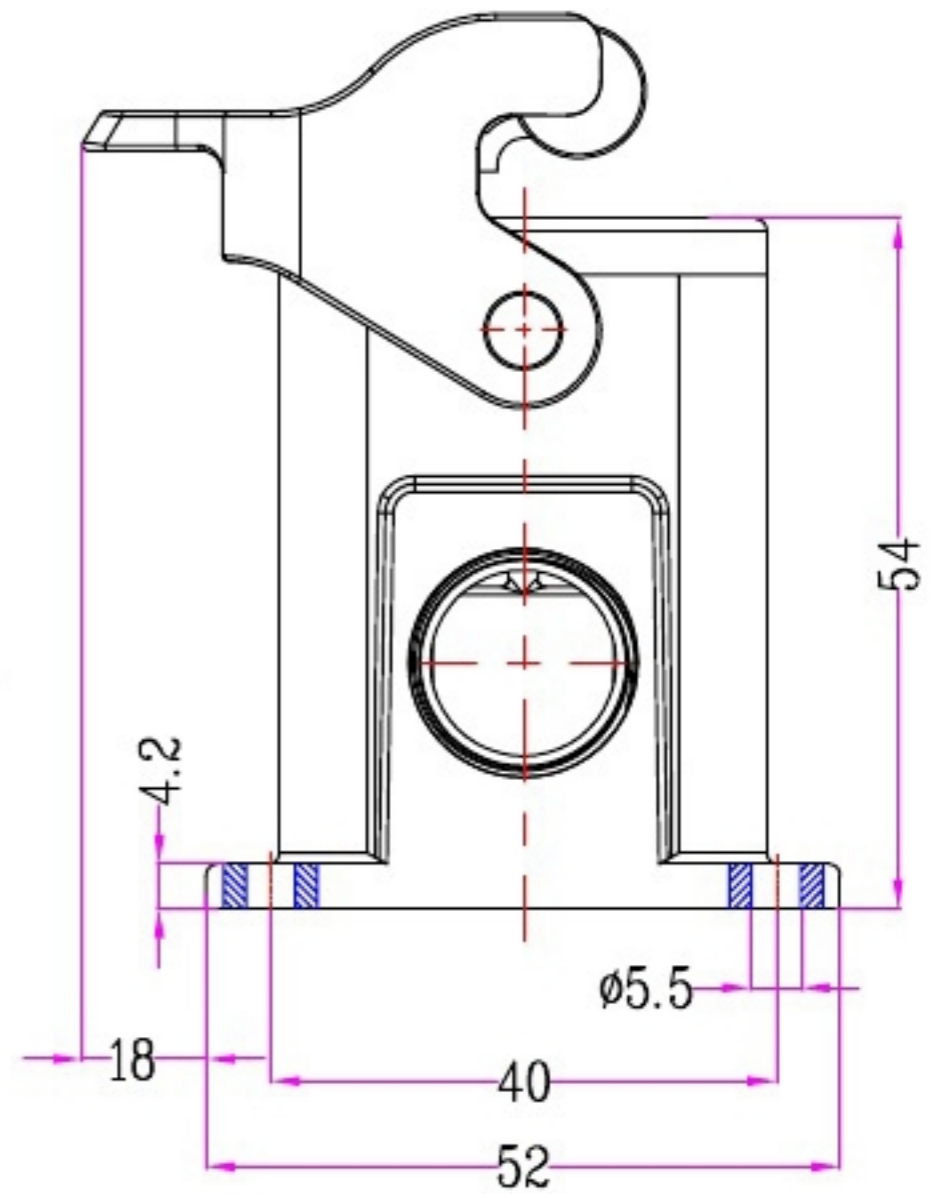
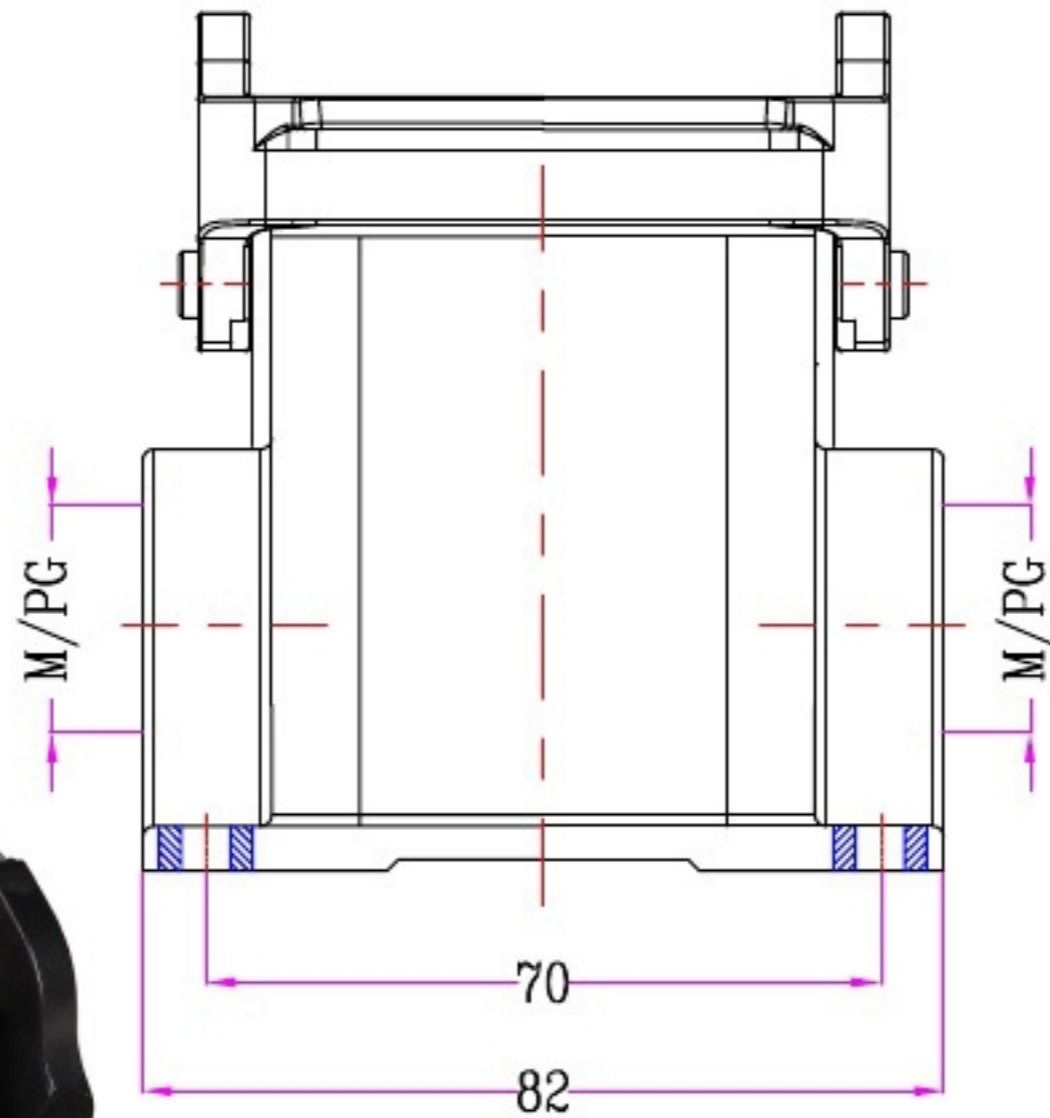

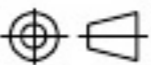

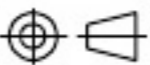


REVISION DATA				
SYM	ECN	DESCRIPTION	DATE	APPROVED



	SIGNATURE	DATE	Units	mm	 宁波欧科瑞连接器有限公司 NINGBO OKERUI CONNECTOR CO.,LTD.	
DRAW			Size	A4	TYPE NAME HZW-H6B-SG-1PL/RM-M/PG	
DESIGN			Scale		Part number	83 321 006 XXX REV
CHECK			Sheet	1/2	File path	OKR.06B.H06BL A0
APPROVE			Proj.			

1	2	3	4	5	6	7	8		
Identification	Type name	Part number	Thread(M/PG)	Lever type	REVISION DATA			Your Choice	
	Housings	HZW-H6B-SG-1PL/R-M20	83 321 006 020	M20	Plastic and Metal	SYM	ECN	DESCRIPTION	DATE
Surface mounting	HZW-H6B-SG-1PL/R-2M20	83 321 006 220	2M20	Plastic and Metal					
	HZW-H6B-SG-1PL/R-M25	83 321 006 025	M25	Plastic and Metal					
	HZW-H6B-SG-1PL/R-2M25	83 321 006 225	2M25	Plastic and Metal					
	HZW-H6B-SG-1PL/R-PG13.5	83 321 006 013	PG13.5	Plastic and Metal					
	HZW-H6B-SG-1PL/R-2PG13.5	83 321 006 213	2PG13.5	Plastic and Metal					
	HZW-H6B-SG-1PL/R-PG16	83 321 006 016	PG16	Plastic and Metal					
	HZW-H6B-SG-1PL/R-2PG16	83 321 006 216	2PG16	Plastic and Metal					
B	HZW-H6B-SG-1PL/M-M20	83 321 006 020	M20	Metal					
	HZW-H6B-SG-1PL/M-2M20	83 321 006 220	2M20	Metal					
	HZW-H6B-SG-1PL/M-M25	83 321 006 025	M25	Metal					
	HZW-H6B-SG-1PL/M-2M25	83 321 006 225	2M25	Metal					
C	HZW-H6B-SG-1PL/M-PG13.5	83 321 006 013	PG13.5	Metal					
	HZW-H6B-SG-1PL/M-2PG13.5	83 321 006 213	2PG13.5	Metal					
	HZW-H6B-SG-1PL/M-PG16	83 321 006 016	PG16	Metal					
	HZW-H6B-SG-1PL/M-2PG16	83 321 006 216	2PG16	Metal					

	SIGNATURE	DATE	Units	mm	 宁波欧科瑞连接器有限公司 NINGBO OKERUI CONNECTOR CO.,LTD.		
DRAW			Size	A4			
DESIGN			Scale		TYPE NAME	HZW-H6B-SG-1PL/RM-M/PG	
CHECK			Sheet	2/2	Part number	83 321 006 XXX	REV
APPROVE			Proj.		File path	OKR.06B.H06BL	A0