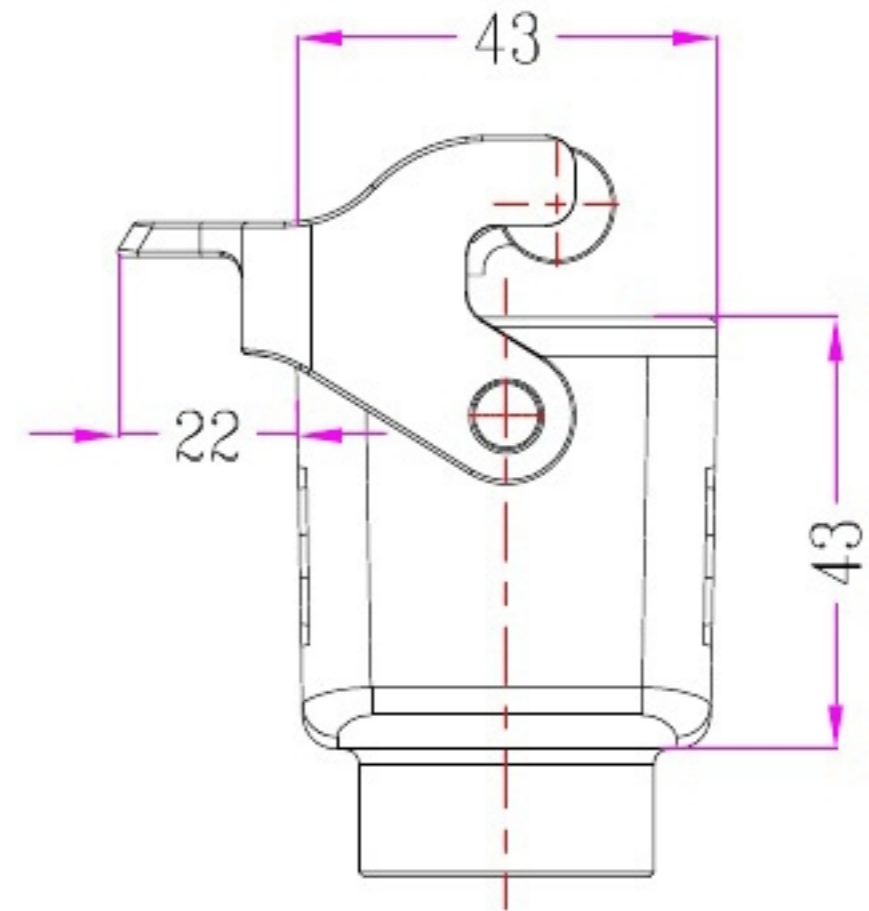
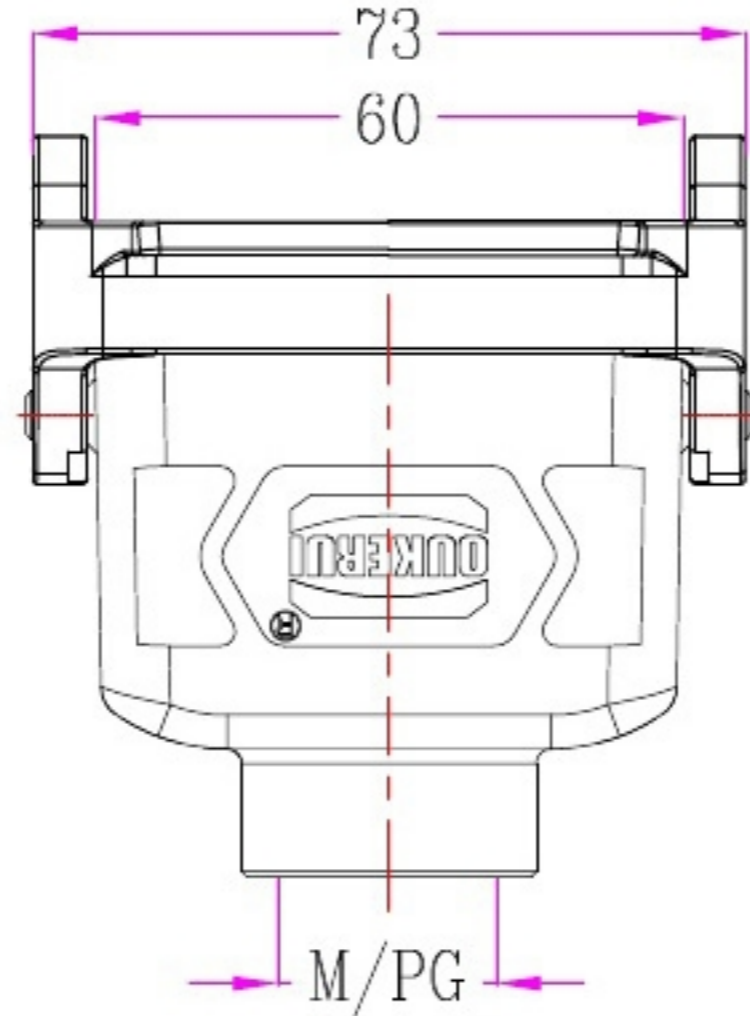



1	2	3	4	5	6	7	8		
Identification	Type name	Part number	Thread(M/PG)	Lever type	REVISION DATA			Your Choice	
Housings Cable to cable	HZW-H6B-DJK-1PL/R-M20	85 301 006 020	M20	Plastic and Metal	SYM	ECN	DESCRIPTION	DATE	APPROVED
	HZW-H6B-DJK-1PL/R-PG13.5	85 301 006 013	PG13.5	Plastic and Metal					
	HZW-H6B-DJK-1PL/R-PG16	85 301 006 016	PG16	Plastic and Metal					
	HZW-H6B-DJK-1PL/M-M20	85 301 006 020	M20	Metal					
	HZW-H6B-DJK-1PL/M-PG13.5	85 301 006 013	PG13.5	Metal					
	HZW-H6B-DJK-1PL/M-PG16	85 301 006 016	PG16	Metal					

B  
C  
D  
E  
F



B  
C  
D  
E  
F

	SIGNATURE	DATE	Units	mm	 宁波欧科瑞连接器有限公司 NINGBO OKERUI CONNECTOR CO.,LTD.		
DRAW			Size	A4	TYPE NAME	HZW-H6B-DJK-1PL/RM-M/PG	
DESIGN			Scale		Part number	85 301 006 XXX	REV
CHECK			Sheet	1/1	File path	OKR.06B.H06BM	A0
APPROVE			Proj.	