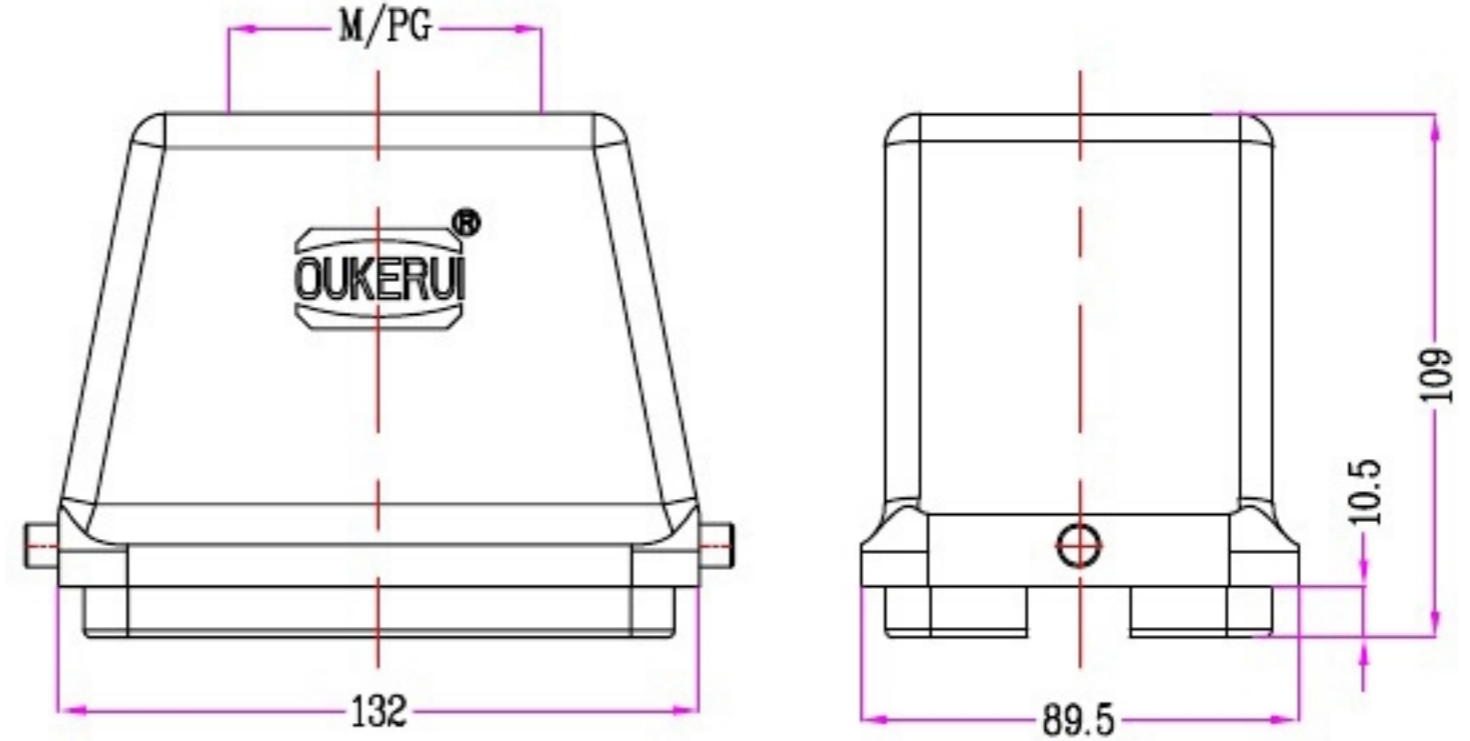



1	2	3	4	5
Identification	Type name	Part number	Thread(M/PG)	Your Choice
Hoods Top entry	HZW-H48B-TK-2g-M32	81 306 048 132	M32	
	HZW-H48B-TK-2g-M40	81 306 048 140	M40	
	HZW-H48B-TK-2g-M50	81 306 048 150	M50	
	HZW-H48B-TK-2g-PG29	81 306 048 129	PG29	
	HZW-H48B-TK-2g-PG36	81 306 048 136	PG36	
	HZW-H48B-TK-2g-PG42	81 306 048 142	PG42	

REVISION DATA				
SYM	ECN	DESCRIPTION	DATE	APPROVED



	SIGNATURE	DATE	Units	mm	 宁波欧科瑞连接器有限公司 NINGBO OUKERUI CONNECTOR CO.,LTD.		
DRAW			Size	A4	TYPE NAME	HZW-H48B-TK-2g-M/PG	
DESIGN			Scale		Part number	81 306 048 XXX	REV
CHECK			Sheet	1/1	File path	OKR. 48B. H48BM	A0
APPROVE			Proj.	