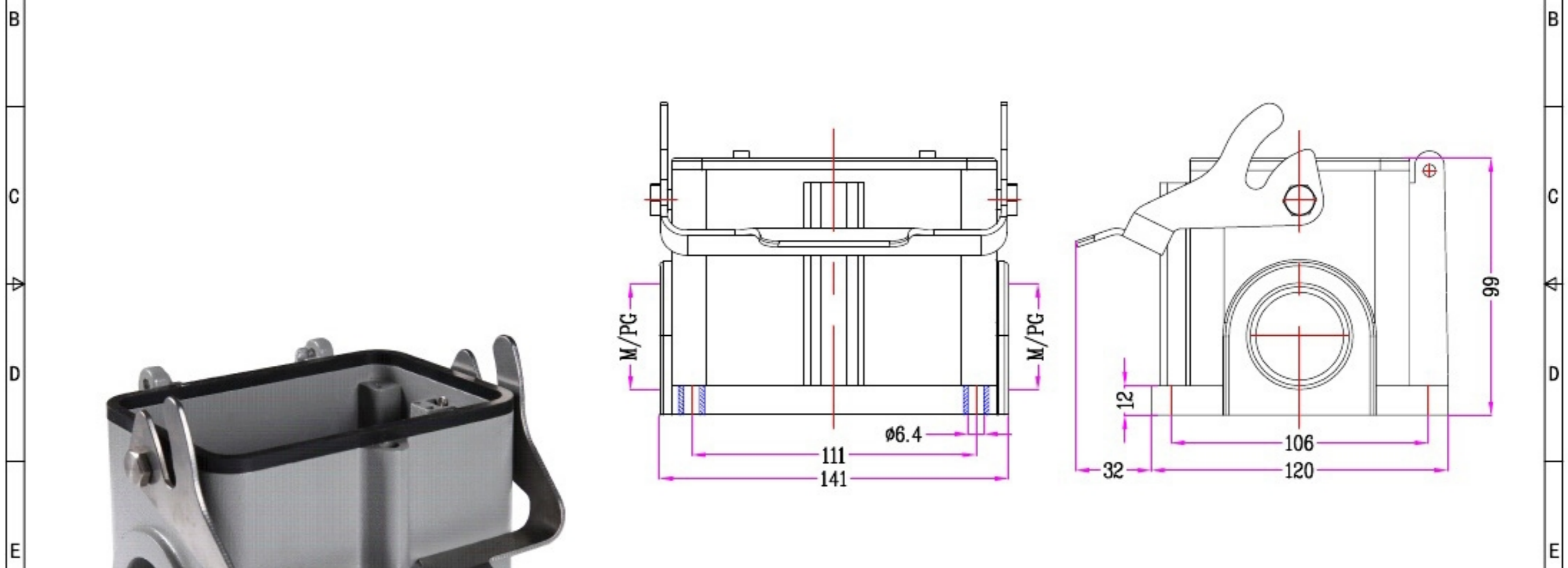



1	2	3	4	5	6	7	8			
Identification	Type name	Part number	Thread(M/PG)	Lever type	Your Choice	REVISION DATA				
Housings Surface mounting	HZW-H48B-SG-1PL-M40	81 326 048 140	M40	Metal		SYM	ECN	DESCRIPTION	DATE	APPROVED
	HZW-H48B-SG-1PL-2M40	81 326 048 240	2M40	Metal						
	HZW-H48B-SG-1PL-PG29	81 326 048 129	PG29	Metal						
	HZW-H48B-SG-1PL-2PG29	81 326 048 229	2PG29	Metal						
	HZW-H48B-SG-1PL-PG36	81 326 048 136	PG36	Metal						
	HZW-H48B-SG-1PL-2PG36	81 326 048 236	2PG36	Metal						



	SIGNATURE	DATE	Units	mm	 宁波欧科瑞连接器有限公司 NINGBO OKERUI CONNECTOR CO.,LTD.	
DRAW			Size	A4	TYPE NAME	HZW-H48B-SG-1PL-M/PG
DESIGN			Scale		Part number	81 326 048 XXX REV
CHECK			Sheet	1/1	File path	OKR. 48B. H48BL A0
APPROVE			Proj.	