

1 2 3 4 5 6 7 8

A

A

REVISION DATA				
SYM	ECN	DESCRIPTION	DATE	APPROVED

B

B

C

C

D

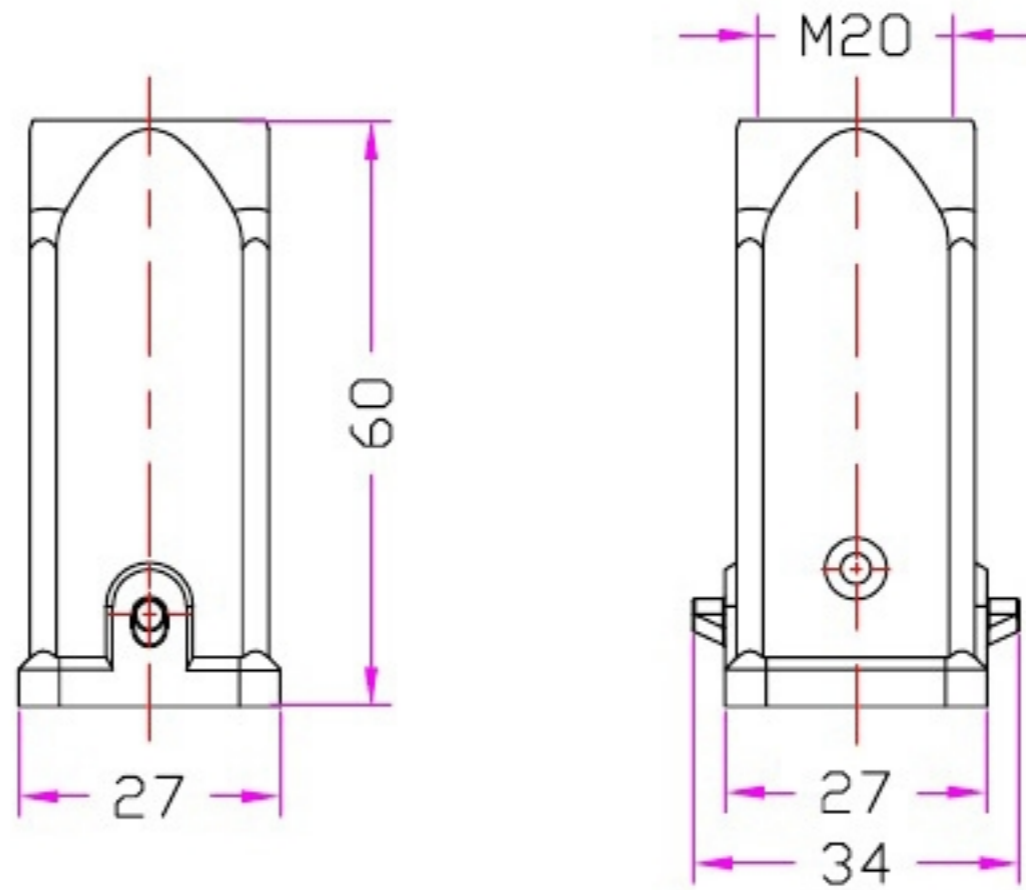
D


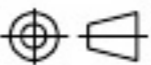
E

E

F

F



	SIGNATURE	DATE	Units	mm	 宁波欧科瑞连接器有限公司 NINGBO OKERUI CONNECTOR CO.,LTD.	
DRAW			Size	A4	PART NAME	HZW-H3A-TK-2g-M20
DESIGN			Scale	1:1	Drawing NO.	81 201 003 120 REV
CHECK			Sheet	1/1	File path	OKR.H3A.3AM20 A0
APPROVE			Proj.			

1 2 3 4 5 6 7 8