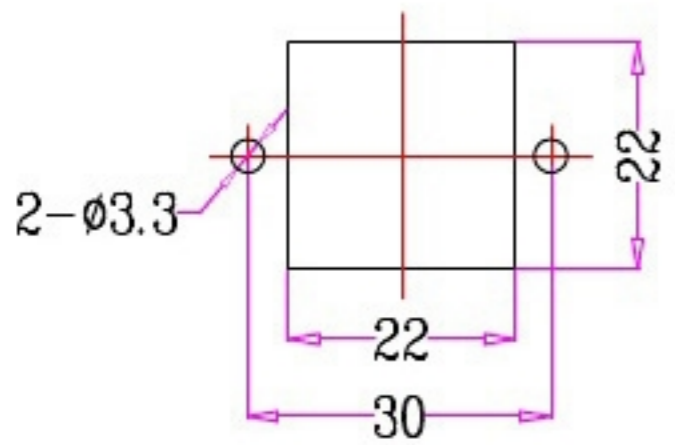
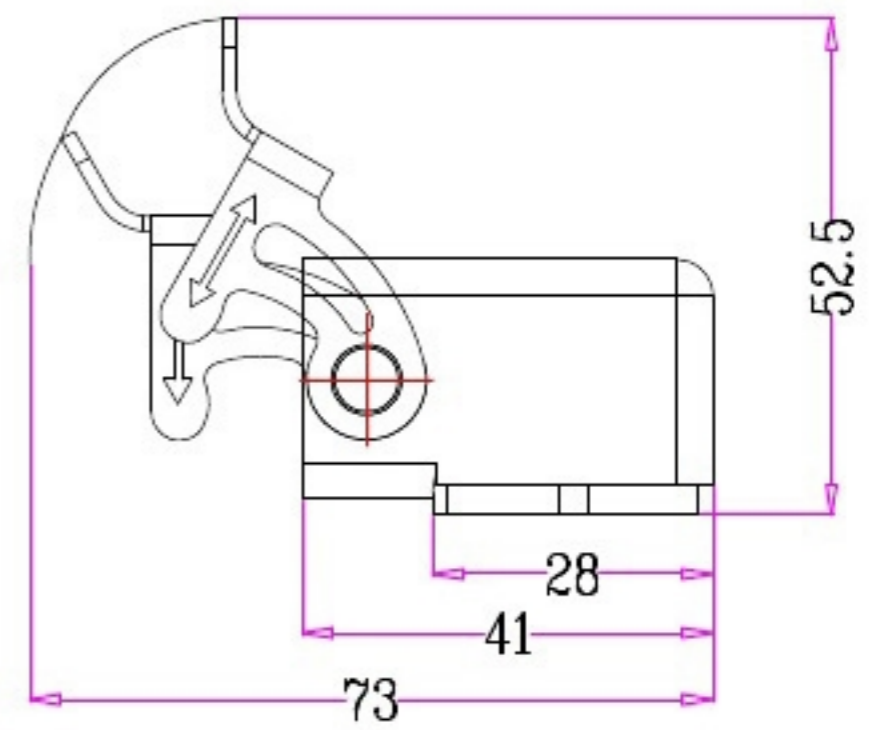
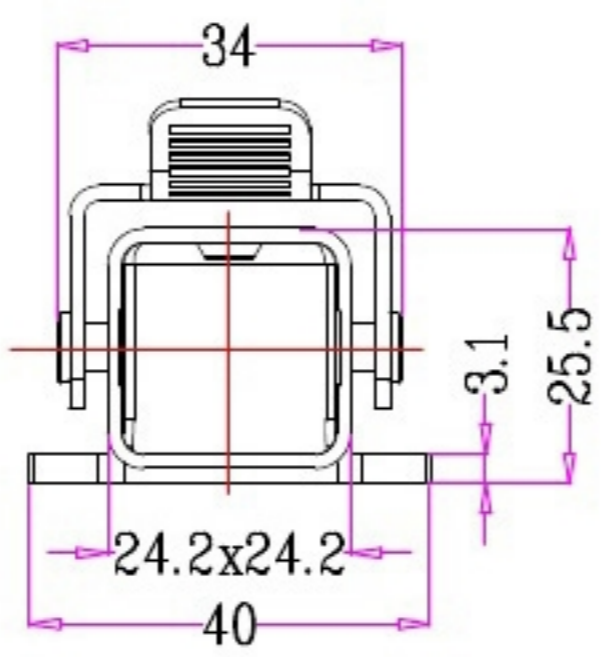

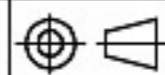


REVISION DATA				
SYM	ECN	DESCRIPTION	DATE	APPROVED



Panel cut out

	SIGNATURE	DATE	Units	mm	 宁波欧科瑞连接器有限公司 NINGBO OUKERUI CONNECTOR CO.,LTD.
DRAW			Size	A4	
DESIGN			Scale	1:1	PART NAME <b>HZW-H3A-ST-SK-1PL</b>
CHECK			Sheet	1/1	Drawing NO. <b>81 201 003 511</b> REV
APPROVE			Proj.		File path OKR, H3A, 3AL11 AO