

1 2 3 4 5 6 7 8

A

A

B

B

C

C

D

D

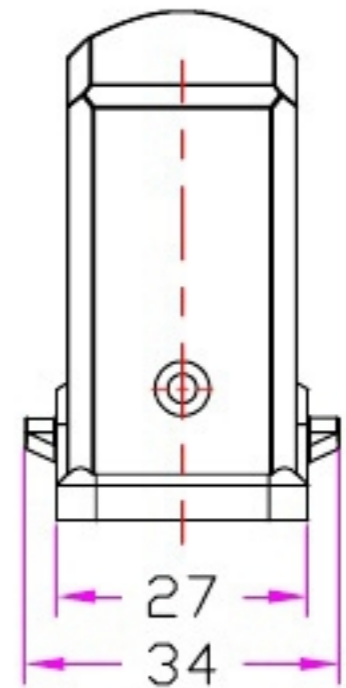
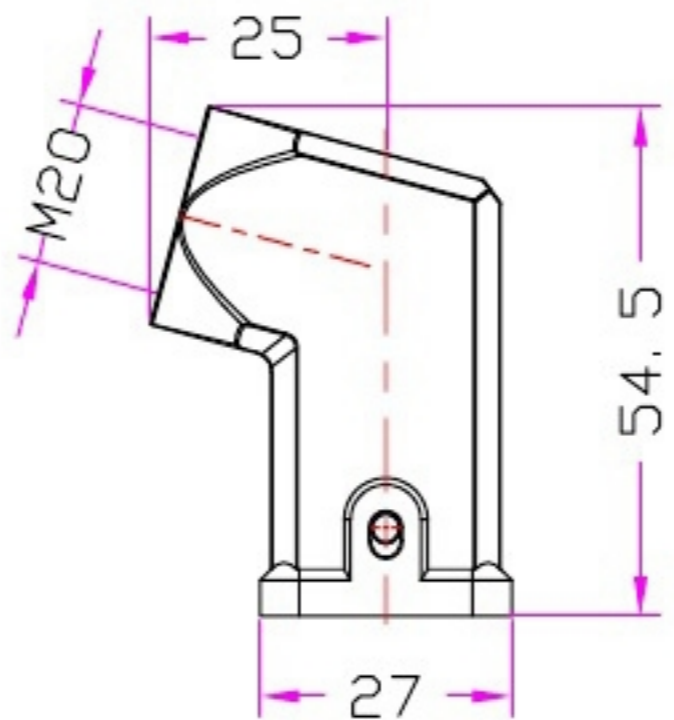
E


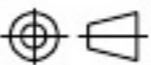
E

F

F

REVISION DATA				
SYM	ECN	DESCRIPTION	DATE	APPROVED



	SIGNATURE	DATE	Units	mm	 宁波欧科瑞连接器有限公司 NINGBO OKERUI CONNECTOR CO.,LTD.	
DRAW			Size	A4		
DESIGN			Scale	1:1	PART NAME	HZW-H3A-SK-2g-M20
CHECK			Sheet	1/1	Drawing NO.	81 201 003 220 REV
APPROVE			Proj.		File path	OKR.H3A.3AM20 A0

1 2 3 4 5 6 7 8