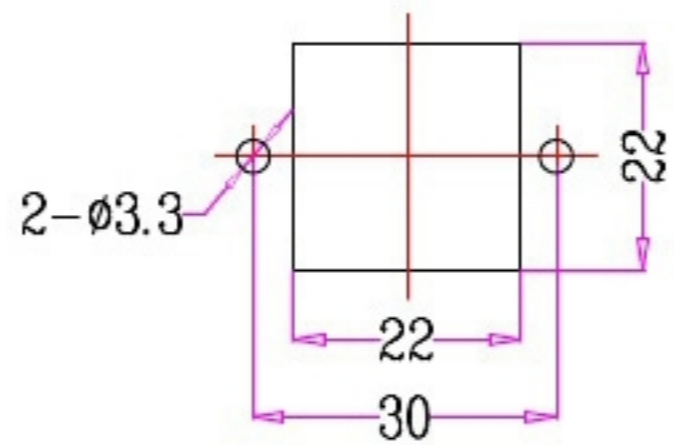
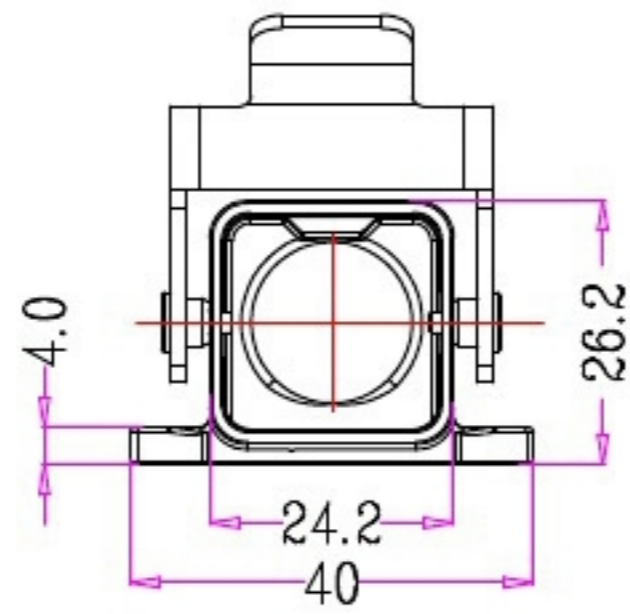
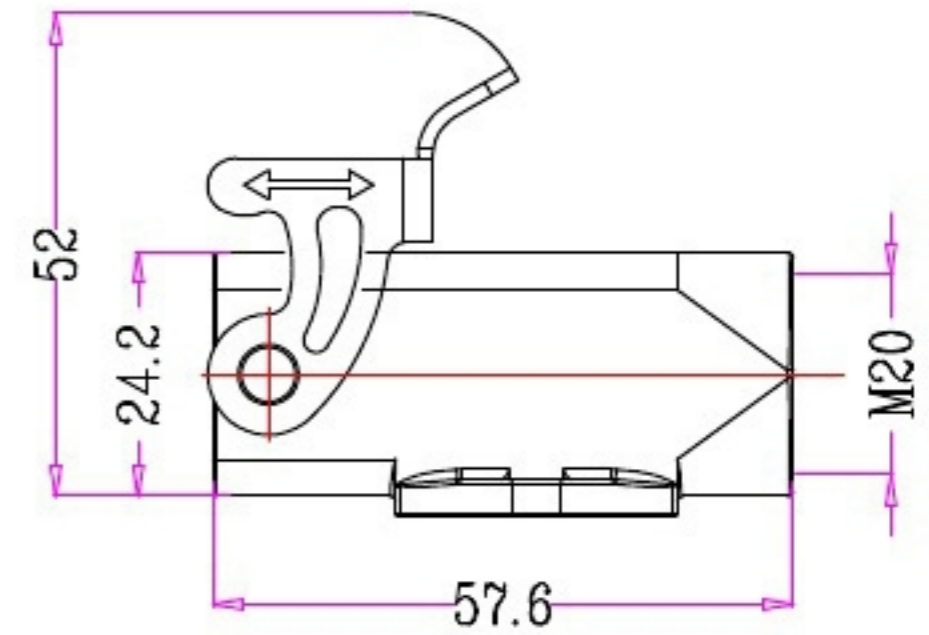
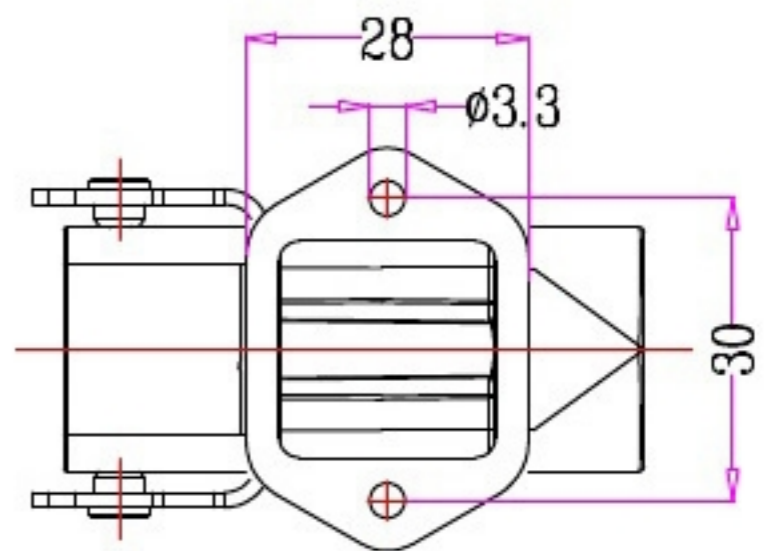

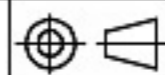


REVISION DATA				
SYM	ECN	DESCRIPTION	DATE	APPROVED



Panel cut out



	SIGNATURE	DATE	Units	mm	 宁波欧科瑞连接器有限公司 NINGBO OUKERUI CONNECTOR CO.,LTD.
DRAW			Size	A4	
DESIGN			Scale	1:1	PART NAME HZW-H3A-SG-1PL-M20
CHECK			Sheet	1/1	Drawing NO. 81 201 003 620 REV
APPROVE			Proj.		File path OKR, H3A, 3AL11 AO