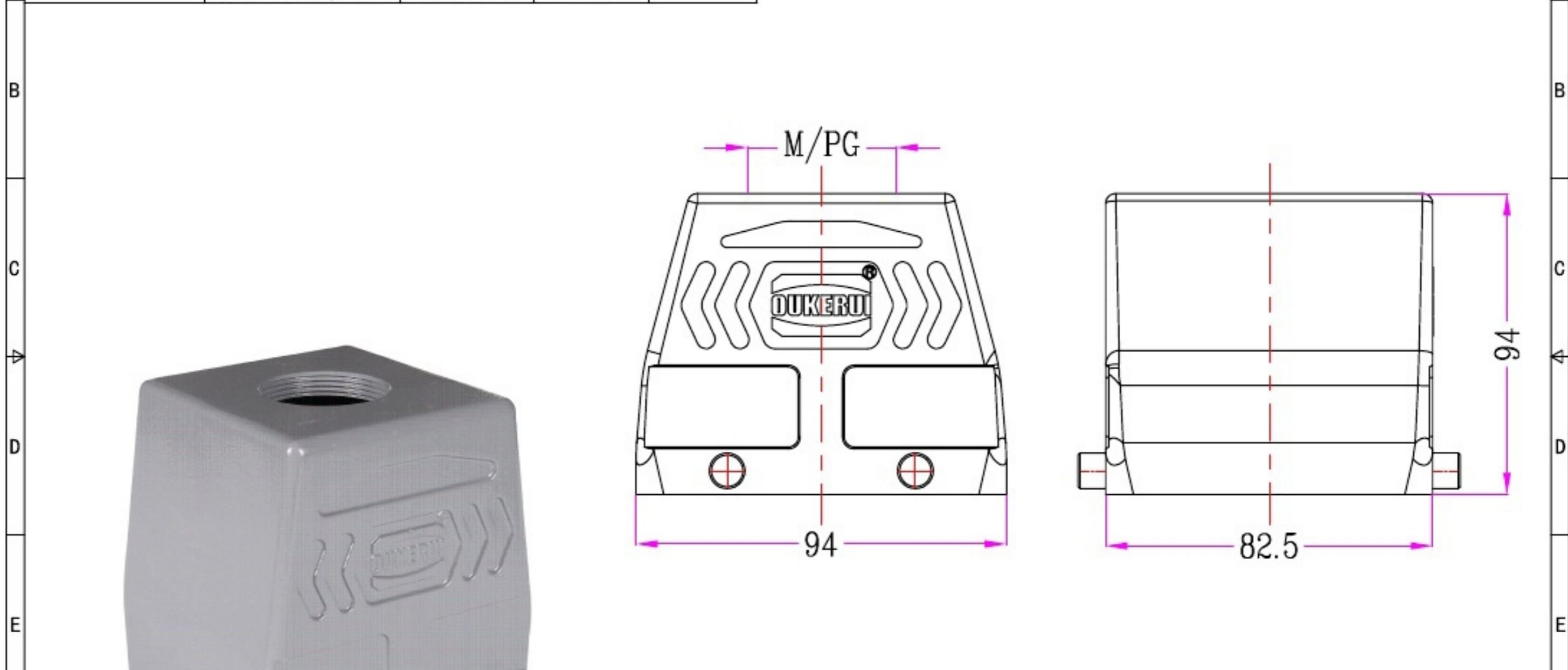



1	2	3	4	5	6	7	8
Identification	Type name	Part number	Thread(M/PG)	Your Choice	REVISION DATA		
Hoods Top entry	HZW-H32B-TK-4g-M32	81 305 032 132	M32		SYM	ECN	DESCRIPTION
	HZW-H32B-TK-4g-M40	81 305 032 140	M40				DATE
	HZW-H32B-TK-4g-M50	81 305 032 150	M50				APPROVED
	HZW-H32B-TK-4g-PG29	81 305 032 129	PG29				
	HZW-H32B-TK-4g-PG36	81 305 032 136	PG36				
	HZW-H32B-TK-4g-PG42	81 305 032 142	PG42				



	SIGNATURE	DATE	Units	mm	 宁波欧科瑞连接器有限公司 NINGBO OKERUI CONNECTOR CO.,LTD.		
DRAW			Size	A4	TYPE NAME	HZW-H32B-TK-4g-M/PG	
DESIGN			Scale		Part number	81 305 032 XXX	REV
CHECK			Sheet	1/1	File path	OKR. 32B. H32BM	A0
APPROVE			Proj.	