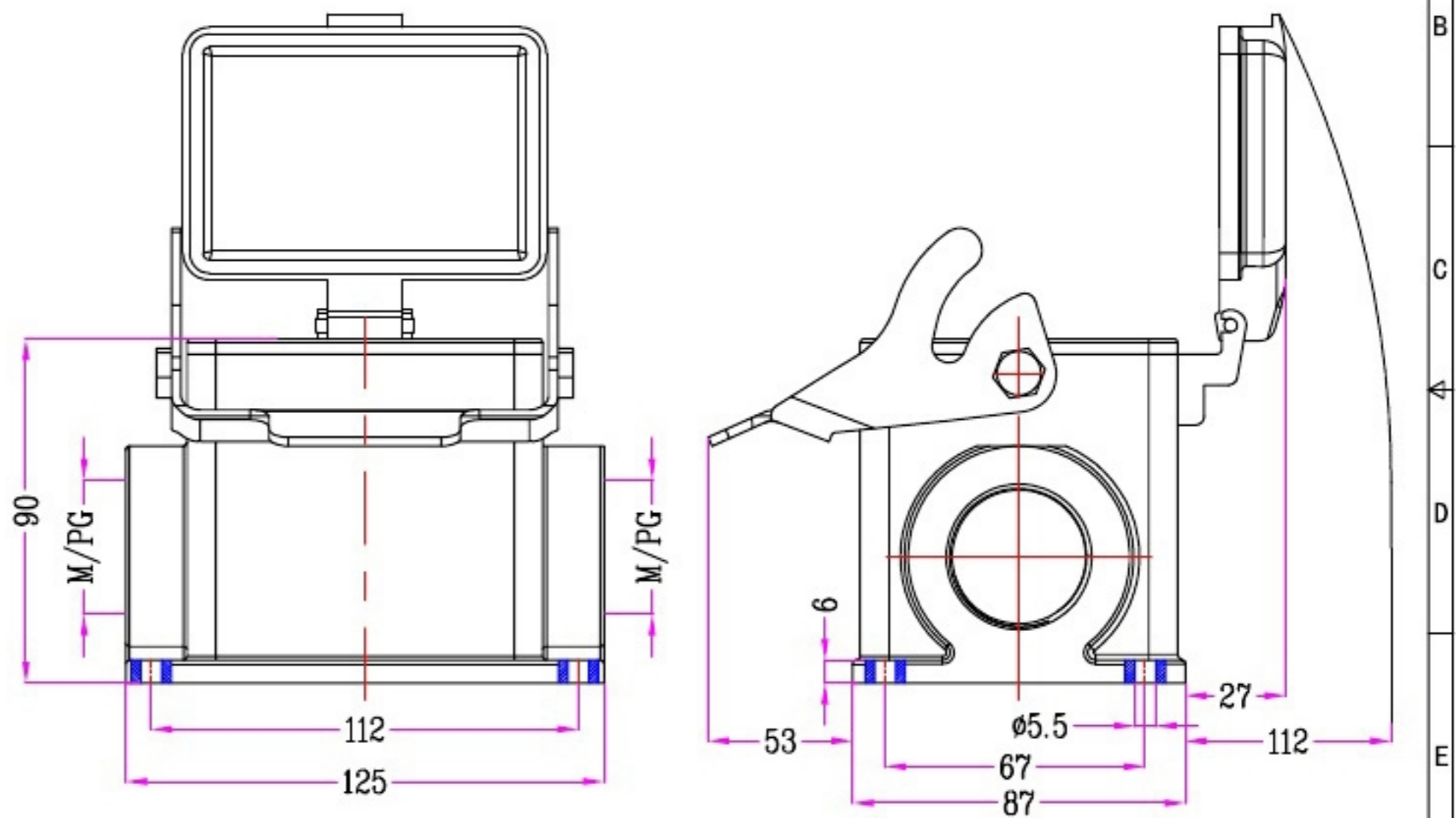



1	2	3	4	5	6	7	8		
Identification	Type name	Part number	Thread(M/PG)	Lever type	REVISION DATA			Your Choice	
Housings Surface mounting With thermo-Plastic cover	HZW-H32B-SG-CV-1PL-M32	82 325 032 132	M32	Metal	SYM	ECN	DESCRIPTION	DATE	APPROVED
	HZW-H32B-SG-CV-1PL-2M32	82 325 032 232	2M32	Metal					
	HZW-H32B-SG-CV-1PL-M40	82 325 032 140	M40	Metal					
	HZW-H32B-SG-CV-1PL-2M40	82 325 032 240	2M40	Metal					
	HZW-H32B-SG-CV-1PL-PG29	82 325 032 129	PG29	Metal					
	HZW-H32B-SG-CV-1PL-2PG29	82 325 032 229	2PG29	Metal					
	HZW-H32B-SG-CV-1PL-PG36	82 325 032 136	PG36	Metal					
	HZW-H32B-SG-CV-1PL-2PG36	82 325 032 236	2PG36	Metal					



	SIGNATURE	DATE	Units	mm	 宁波欧科瑞连接器有限公司 NINGBO OKERUI CONNECTOR CO.,LTD.		
DRAW			Size	A4	TYPE NAME	HZW-H32B-SG-CV-1PL-M/PG	
DESIGN			Scale		Part number	82 325 032 XXX	REV
CHECK			Sheet	1/1	File path	OKR. 32B. H32BL	A0
APPROVE			Proj.	