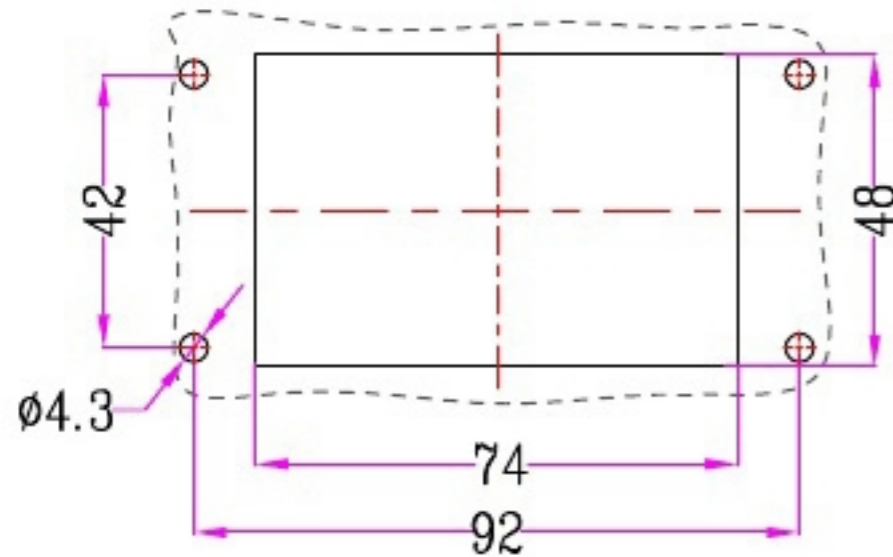
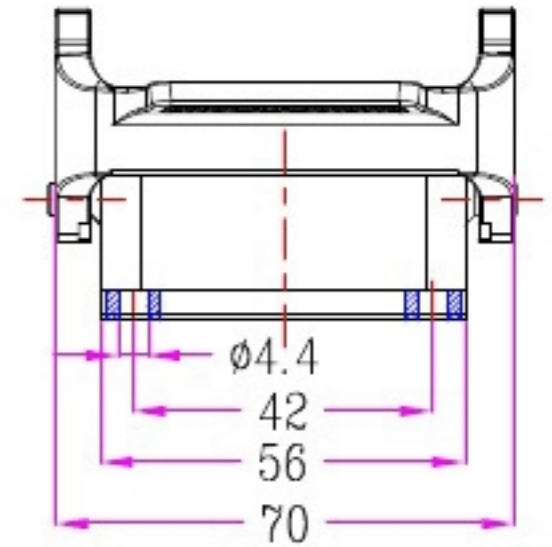
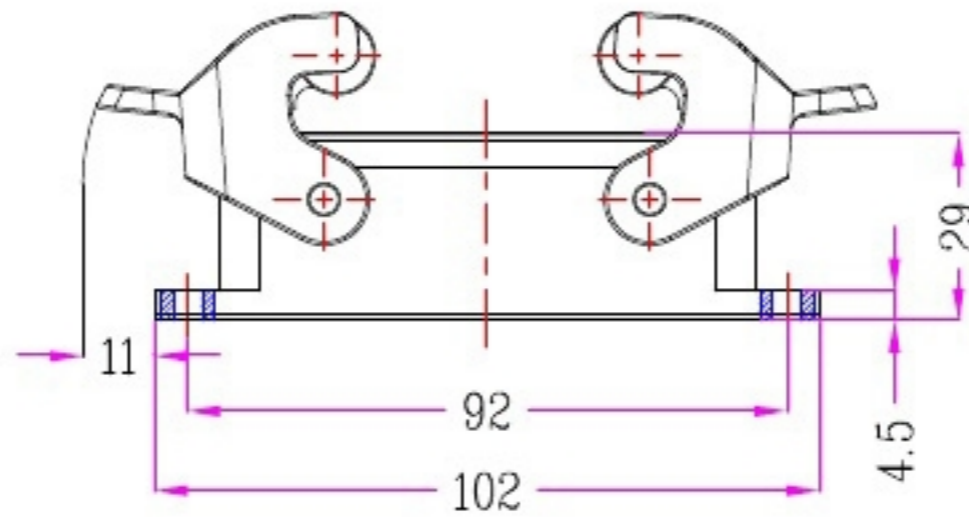

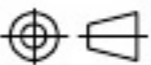


REVISION DATA				
SYM	ECN	DESCRIPTION	DATE	APPROVED



Bulkhead mounting
Panel cut out



	SIGNATURE	DATE	Units	mm	 宁波欧科瑞连接器有限公司 NINGBO OKERUI CONNECTOR CO.,LTD.	
DRAW			Size	A4	TYPE NAME	HZW-H32A-ST-2PL
DESIGN			Scale	1.5:1	Part number	81 284 032 001
CHECK			Sheet	1/1	REV	
APPROVE			Proj.		File path	OKR. 32A. H32AL