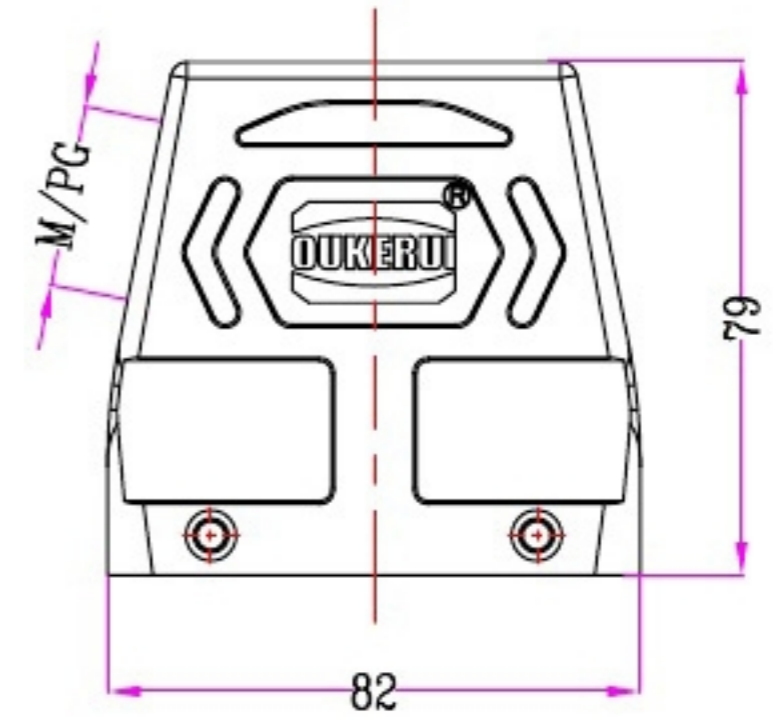
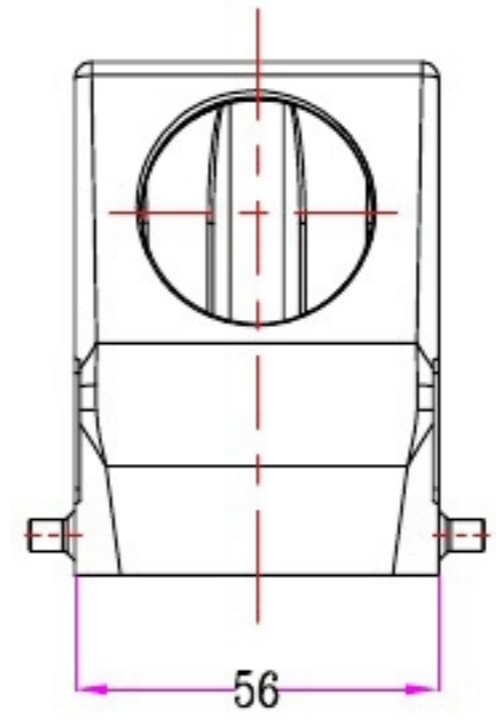

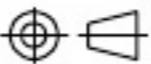


1	2		3		4	5	6		7		8	
Identification	Type name		Part number	Thread(M/PG)	Your Choice		REVISION DATA					
Hoods	HZW-H32A-SKH-4g-M25		81 282 032 125	M25			SYM	ECN	DESCRIPTION		DATE	APPROVED
Side entry	HZW-H32A-SKH-4g-M32		81 282 032 132	M32								
High structure	HZW-H32A-SKH-4g-PG21		81 282 032 121	PG21								
	HZW-H32A-SKH-4g-PG29		81 282 032 129	PG29								



	SIGNATURE	DATE	Units	mm	 宁波欧科瑞连接器有限公司 NINGBO OKERUI CONNECTOR CO.,LTD.		
DRAW			Size	A4			
DESIGN			Scale	1.5:1	TYPE NAME	HZW-H32A-SKH-4g-M/PG	
CHECK			Sheet	1/1	Part number	81 282 032 XXX	REV
APPROVE			Proj.		File path	OKR. 32A. H32AM	A0