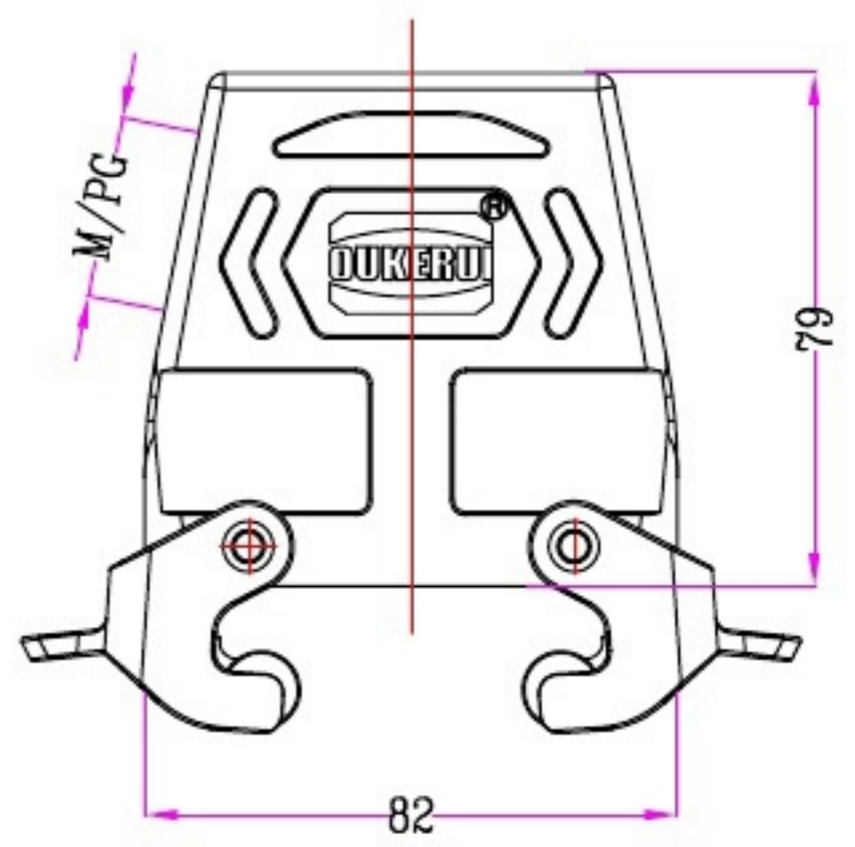
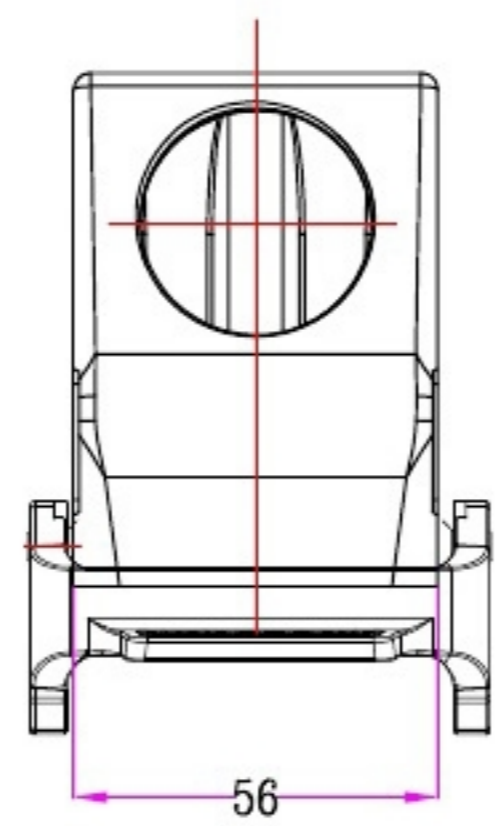

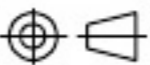


1	2		3	4	5	6		7	8	
Identification	Type name		Part number	Thread(M/PG)	Your Choice	REVISION DATA				
Hoods	HZW-H32A-SKH-2PL-M25		81 292 032 125	M25		SYM	ECN	DESCRIPTION	DATE	APPROVED
Side entry	HZW-H32A-SKH-2PL-M32		81 292 032 132	M32						
High structure	HZW-H32A-SKH-2PL-PG21		81 292 032 121	PG21						
	HZW-H32A-SKH-2PL-PG29		81 292 032 129	PG29						



	SIGNATURE	DATE	Units	mm	 宁波欧科瑞连接器有限公司 NINGBO OKERUI CONNECTOR CO.,LTD.	
DRAW			Size	A4		
DESIGN			Scale	1.5:1	TYPE NAME	HZW-H32A-SKH-2PL-M/PG
CHECK			Sheet	1/1	Part number	81 292 032 XXX REV
APPROVE			Proj.		File path	OKR. 32A. H32AL A0