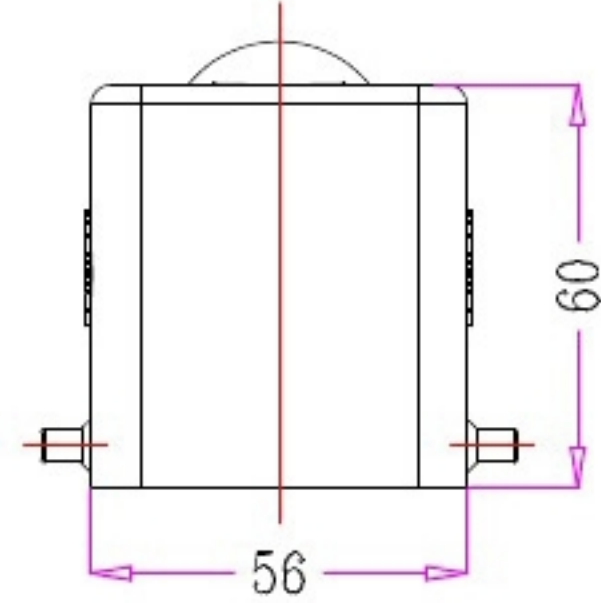
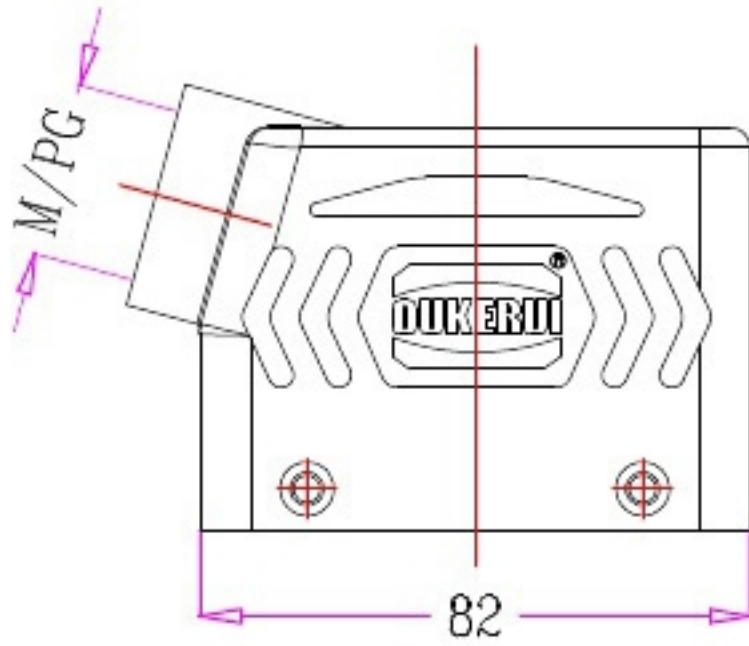

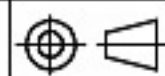


1	2	3	4	5
Identification	Type name	Part number	Thread (M/PG)	Your Choice
Hoods	<b>HZW-H32A-SK-4g-M25</b>	<b>81 281 032 125</b>	<b>M25</b>	
Side entry	<b>HZW-H32A-SK-4g-PG21</b>	<b>81 281 032 121</b>	<b>PG21</b>	

REVISION DATA				
SYM	ECN	DESCRIPTION	DATE	APPROVED



	SIGNATURE	DATE	Units	mm	 <b>宁波欧科瑞连接器有限公司</b> NINGBO OUKERUI CONNECTOR CO.,LTD.
DRAW			Size	A4	
DESIGN			Scale	1.5:1	TYPE NAME <b>HZW-H32A-SK-4g-M/PG</b>
CHECK			Sheet	1/1	Part number <b>81 281 032 XXX</b> REV
APPROVE			Proj.		File path OKR_32A_H32AM AO