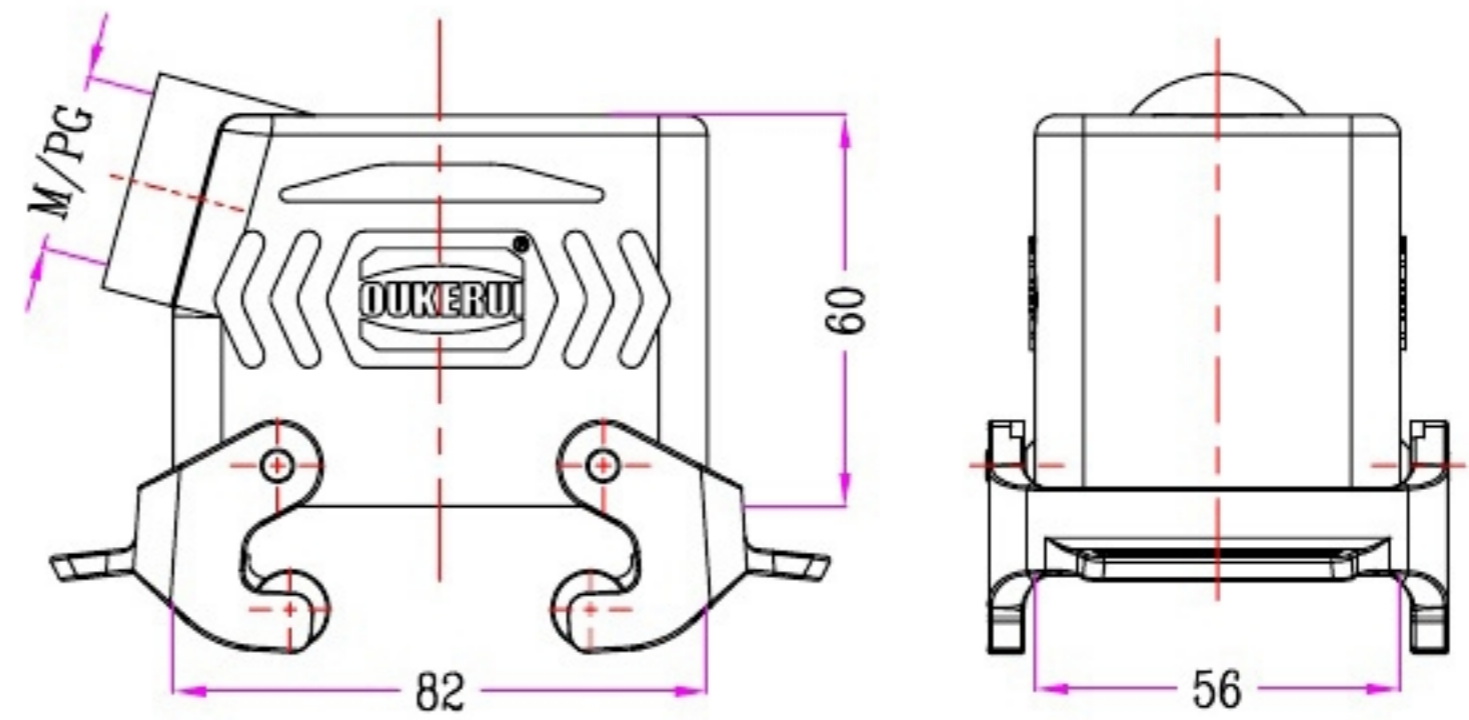



1	2	3	4	5
Identification	Type name	Part number	Thread(M/PG)	Your Choice
Hoods	HZW-H32A-SK-2PL-M25	81 291 032 125	M25	
Side entry	HZW-H32A-SK-2PL-PG21	81 291 032 121	PG21	

REVISION DATA				
SYM	ECN	DESCRIPTION	DATE	APPROVED



	SIGNATURE	DATE	Units	mm	 宁波欧科瑞连接器有限公司 NINGBO OKKERUI CONNECTOR CO.,LTD.	
DRAW			Size	A4	TYPE NAME	HZW-H32A-SK-2PL-M/PG
DESIGN			Scale	1.5:1	Part number	81 291 032 XXX REV
CHECK			Sheet	1/1	File path	OKR. 32A. H32AL A0
APPROVE			Proj.	