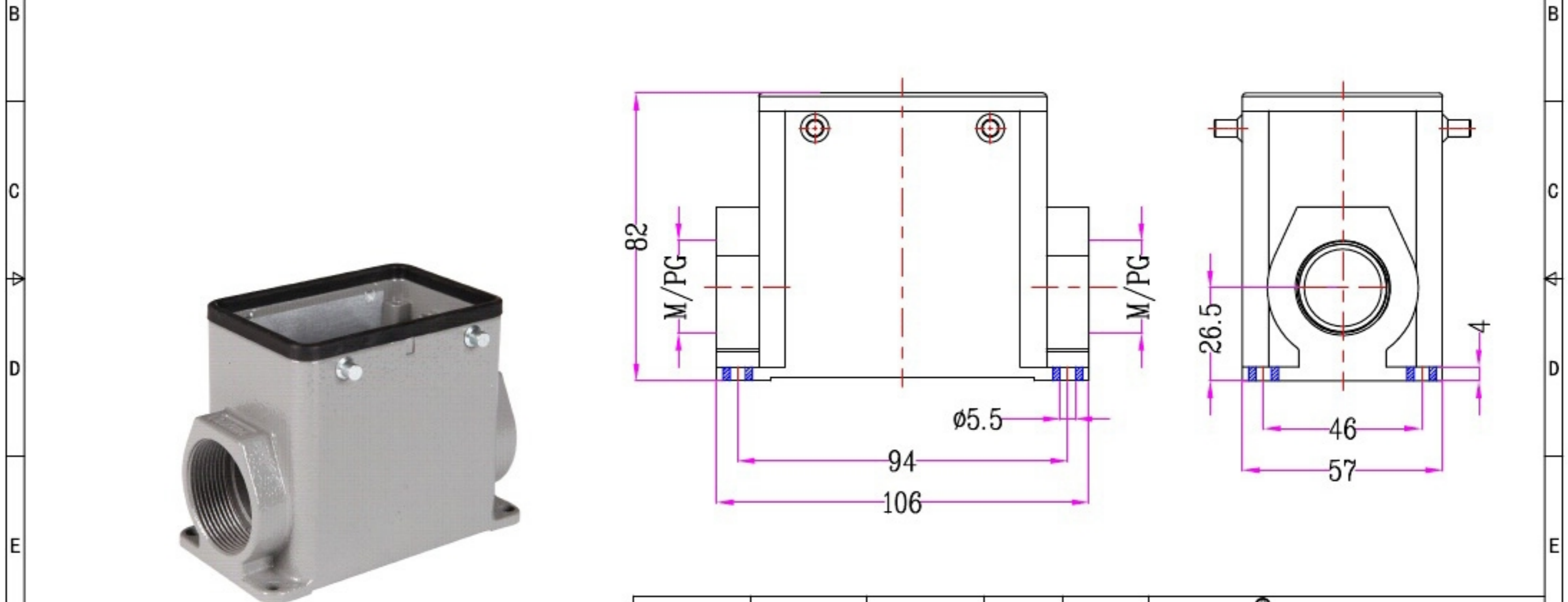



1	2	3	4	5	6	7	8		
Identification	Type name	Part number	Thread(M/PG)	Your Choice	REVISION DATA				
Housings Surface mounting	HZW-H32A-SG-4g-M25	81 295 032 125	M25		SYM	ECN	DESCRIPTION	DATE	APPROVED
	HZW-H32A-SG-4g-M32	81 295 032 132	M32						
	HZW-H32A-SG-4g-2M32	81 295 032 232	2M32						
	HZW-H32A-SG-4g-PG21	81 295 032 121	PG21						
	HZW-H32A-SG-4g-2PG21	81 295 032 221	2PG21						
	HZW-H32A-SG-4g-PG29	81 295 032 129	PG29						
	HZW-H32A-SG-4g-2PG29	81 295 032 229	2PG29						



	SIGNATURE	DATE	Units	mm	 宁波欧科瑞连接器有限公司 NINGBO OKERUI CONNECTOR CO.,LTD.		
DRAW			Size	A4	TYPE NAME	HZW-H32A-SG-4g-M/PG	
DESIGN			Scale	1.5:1	Part number	81 295 032 XXX	REV
CHECK			Sheet	1/1	File path	OKR. 32A. H32AL	A0
APPROVE			Proj.	