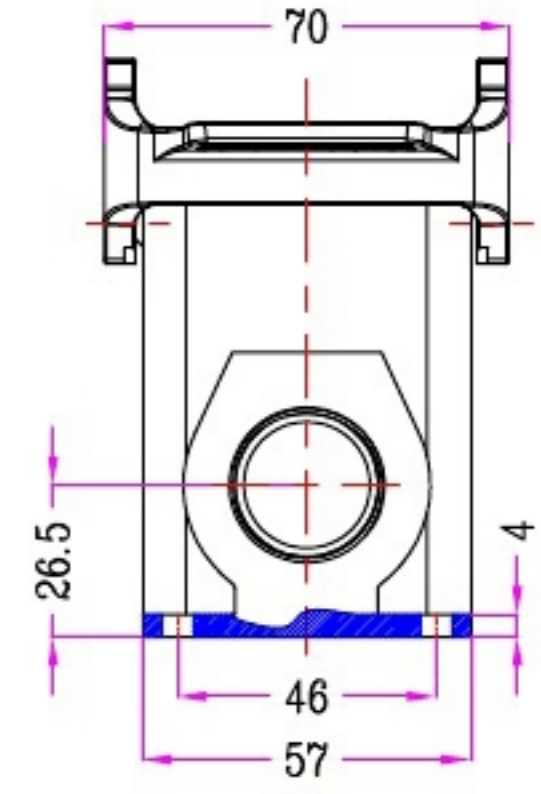
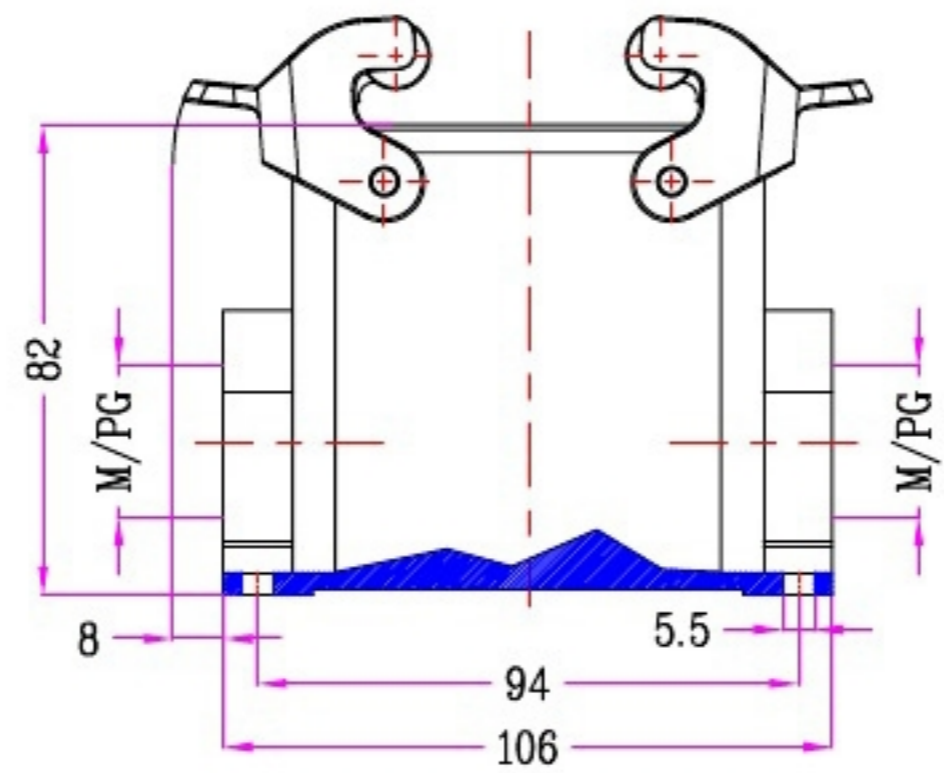

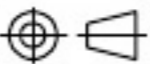


1	2	3	4	5
Identification	Type name	Part number	Thread(M/PG)	Your Choice
Housings Surface mounting	HZW-H32A-SG-2PL-M25	81 285 032 125	M25	
	HZW-H32A-SG-2PL-M32	81 285 032 132	M32	
	HZW-H32A-SG-2PL-2M32	81 285 032 232	2M32	
	HZW-H32A-SG-2PL-PG21	81 285 032 121	PG21	
	HZW-H32A-SG-2PL-2PG21	81 285 032 221	2PG21	
	HZW-H32A-SG-2PL-PG29	81 285 032 129	PG29	
	HZW-H32A-SG-2PL-2PG29	81 285 032 229	2PG29	

REVISION DATA				
SYM	ECN	DESCRIPTION	DATE	APPROVED



	SIGNATURE	DATE	Units	mm	 宁波欧科瑞连接器有限公司 NINGBO OUKERUI CONNECTOR CO.,LTD.		
DRAW			Size	A4			
DESIGN			Scale	1.5:1	TYPE NAME	HZW-H32A-SG-2PL-M/PG	
CHECK			Sheet	1/1	Part number	81 285 032 XXX	REV
APPROVE			Proj.		File path	OKR. 32A. H32AL	A0