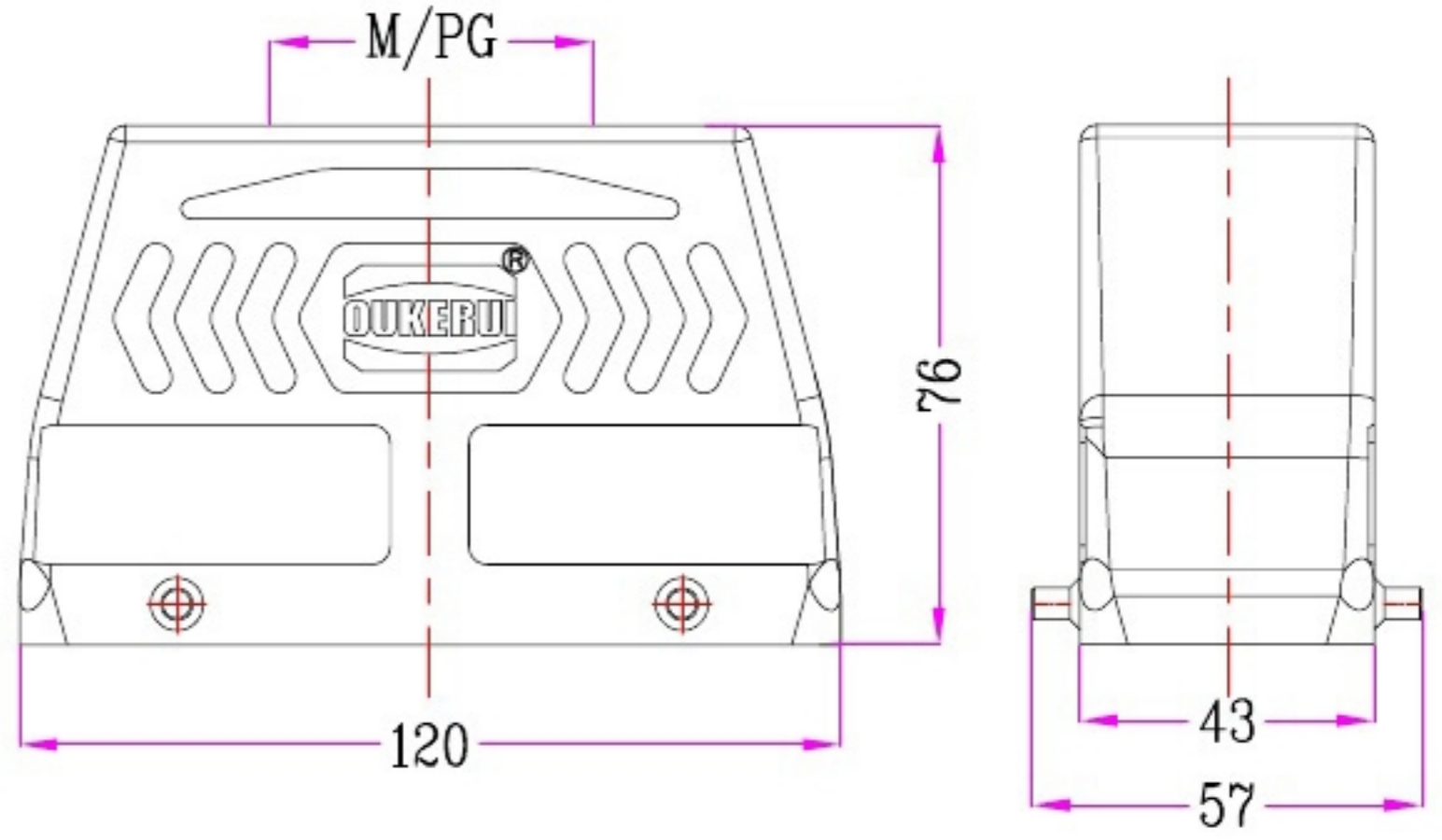



1	2		3	4	5	6		7	8	
Identification	Type name		Part number	Thread(M/PG)	Your Choice	REVISION DATA				
Hoods	HZW-H24B-TKH-4g-M32		81 304 024 132	M32		SYM	ECN	DESCRIPTION	DATE	APPROVED
Top entry	HZW-H24B-TKH-4g-M40		81 304 024 140	M40						
High structure	HZW-H24B-TKH-4g-PG21		81 304 024 121	PG21						
	HZW-H24B-TKH-4g-PG29		81 304 024 129	PG29						

A
B
C
D
E
F

A
B
C
D
E
F



	SIGNATURE	DATE	Units	mm	 宁波欧科瑞连接器有限公司 NINGBO OUKERUI CONNECTOR CO.,LTD.	
DRAW			Size	A4	TYPE NAME	HZW-H24B-TKH-4g-M/PG
DESIGN			Scale		Part number	81 304 024 XXX REV
CHECK			Sheet	1/1	File path	OKR. 24B. H24BM A0
APPROVE			Proj.	