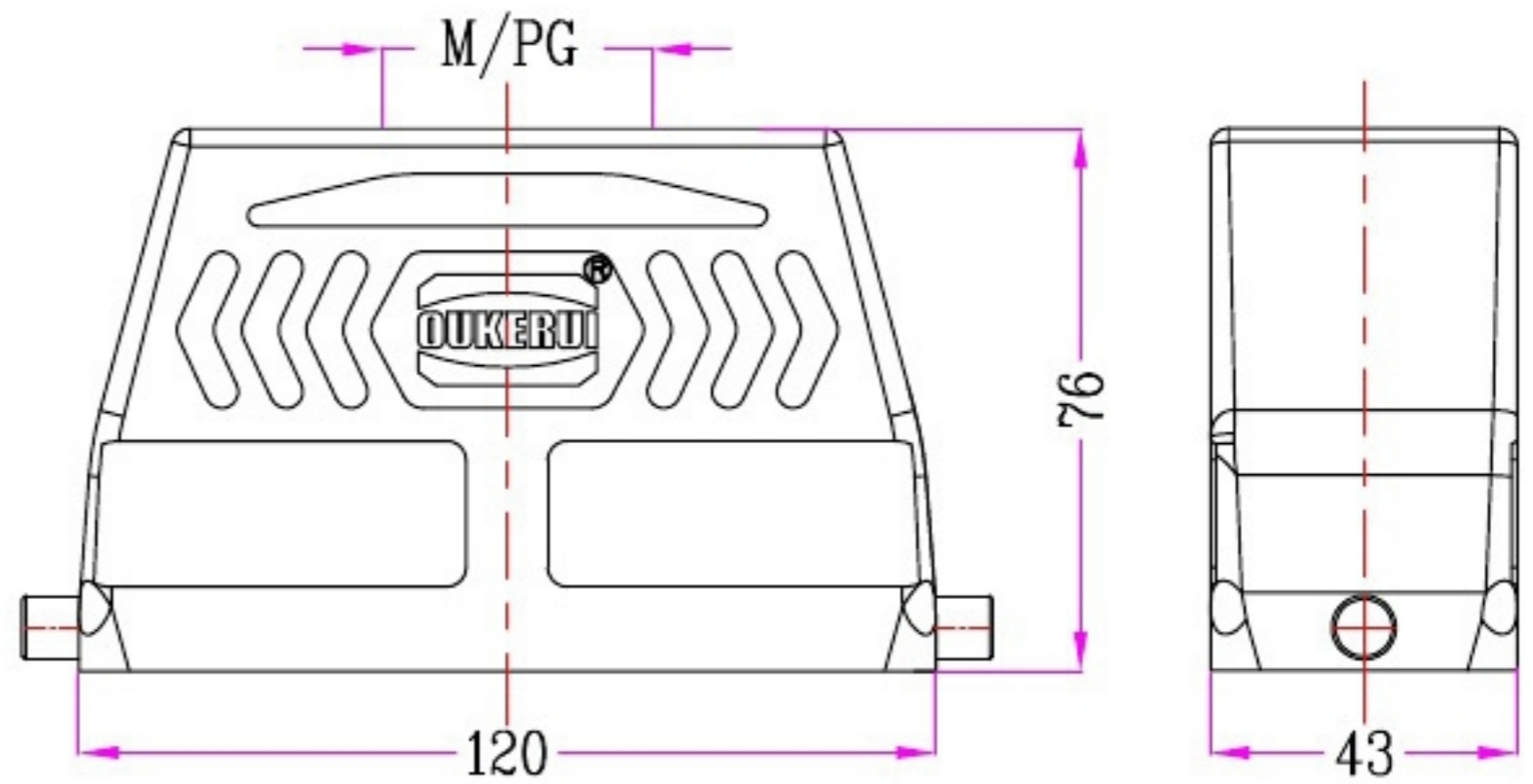

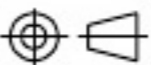


1	2	3	4	5	6	7	8		
Identification	Type name	Part number	Thread(M/PG)	Your Choice	REVISION DATA				
Hoods Top entry High structure	HZW-H24B-TKH-2g-M32	82 304 024 132	M32		SYM	ECN	DESCRIPTION	DATE	APPROVED
	HZW-H24B-TKH-2g-M40	82 304 024 140	M40						
	HZW-H24B-TKH-2g-PG21	82 304 024 121	PG21						
	HZW-H24B-TKH-2g-PG29	82 304 024 129	PG29						



	SIGNATURE	DATE	Units	mm	 宁波欧科瑞连接器有限公司 NINGBO OUKERUI CONNECTOR CO.,LTD.			
DRAW			Size	A4				
DESIGN			Scale		TYPE NAME	HZW-H24B-TKH-2g-M/PG		
CHECK			Sheet	1/1	Part number	82 304 024 XXX	REV	
APPROVE			Proj.		File path	OKR. 24B. H24BM	A0	