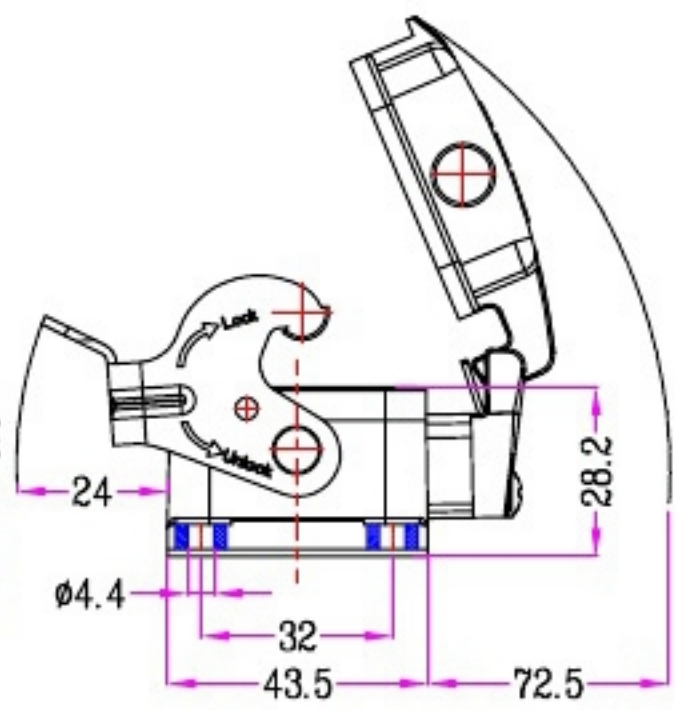
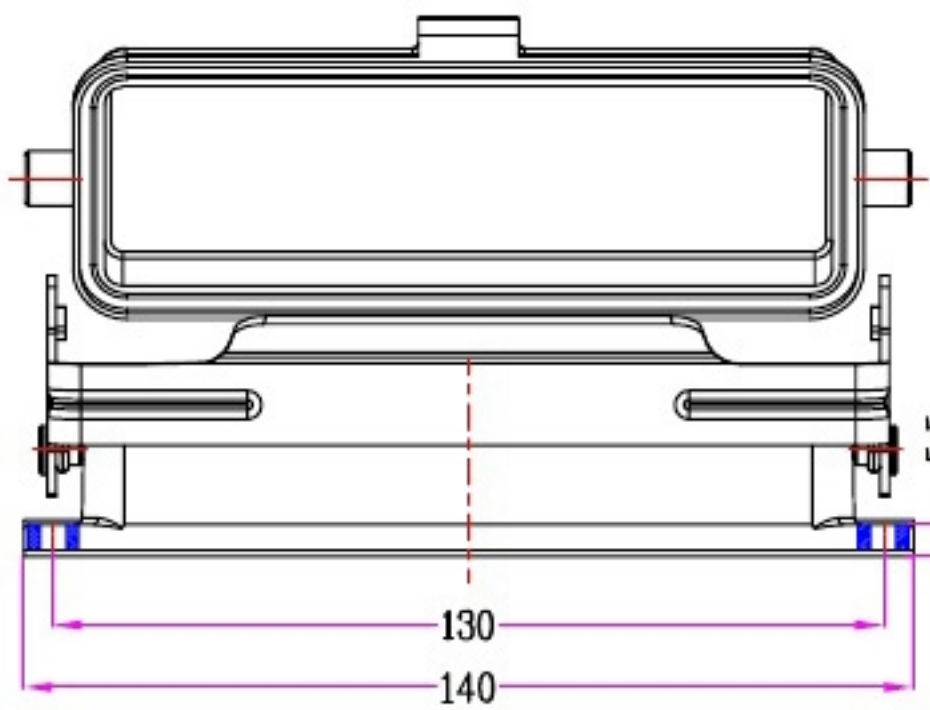
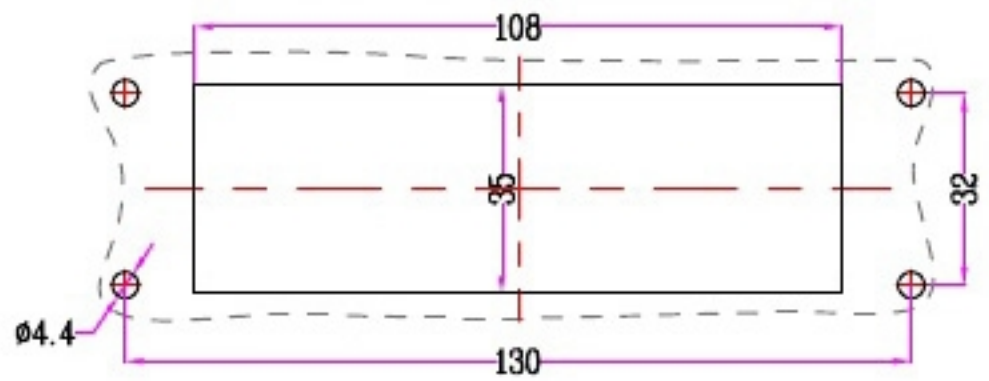


1	2	3	4	5
Identification	Type name	Part number	Thread(M/PG)	Lever type
Housings Bulkhead mounting With metal cover	HZW-H24B-ST-MCV-1PL	81 304 024 203		Metal
				Your Choice

REVISION DATA				
SYM	ECN	DESCRIPTION	DATE	APPROVED



Bulkhead mounting
Panel cut out



	SIGNATURE	DATE	Units	mm
DRAW			Size	A4
DESIGN			Scale	
CHECK			Sheet	1/1
APPROVE			Proj.	

OUKERUI 宁波欧科瑞连接器有限公司
NINGBO OUKERUI CONNECTOR CO.,LTD.

TYPE NAME	HZW-H24B-ST-MCV-1PL		
Part number	81 304 024 203	REV	
File path	OKR. 24B. H24BL	A0	