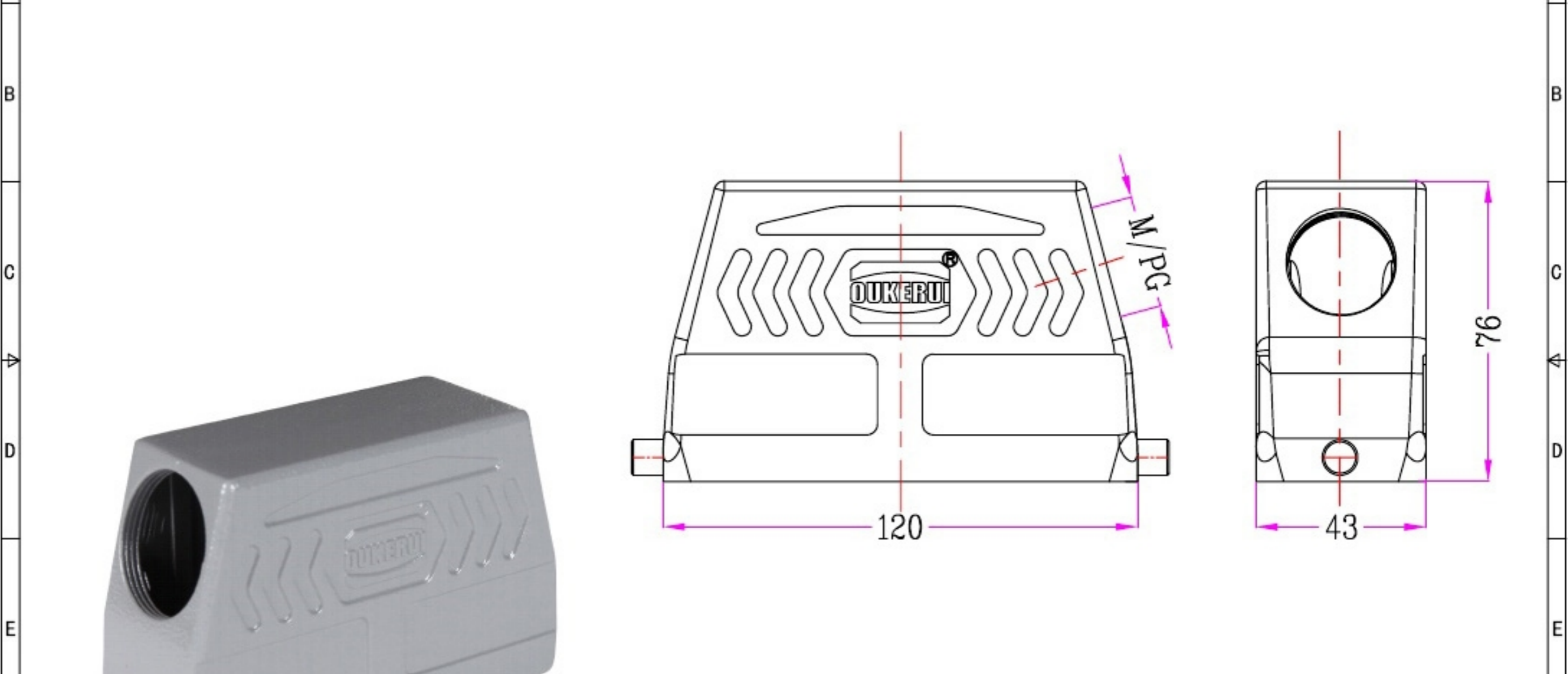

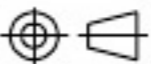


1	2		3	4	5	6		7	8	
Identification	Type name		Part number	Thread(M/PG)	Your Choice	REVISION DATA				
Hoods	HZW-H24B-SKH-2g-M32		82 314 024 132	M32		SYM	ECN	DESCRIPTION	DATE	APPROVED
Side entry	HZW-H24B-SKH-2g-M40		82 314 024 140	M40						
High structure	HZW-H24B-SKH-2g-PG21		82 314 024 121	PG21						
	HZW-H24B-SKH-2g-PG29		82 314 024 129	PG29						



	SIGNATURE	DATE	Units	mm	 宁波欧科瑞连接器有限公司 NINGBO OKERUI CONNECTOR CO.,LTD.		
DRAW			Size	A4			
DESIGN			Scale		TYPE NAME	HZW-H24B-SKH-2g-M/PG	
CHECK			Sheet	1/1	Part number	82 314 024 XXX	REV
APPROVE			Proj.		File path	OKR. 24B. H24BM	A0