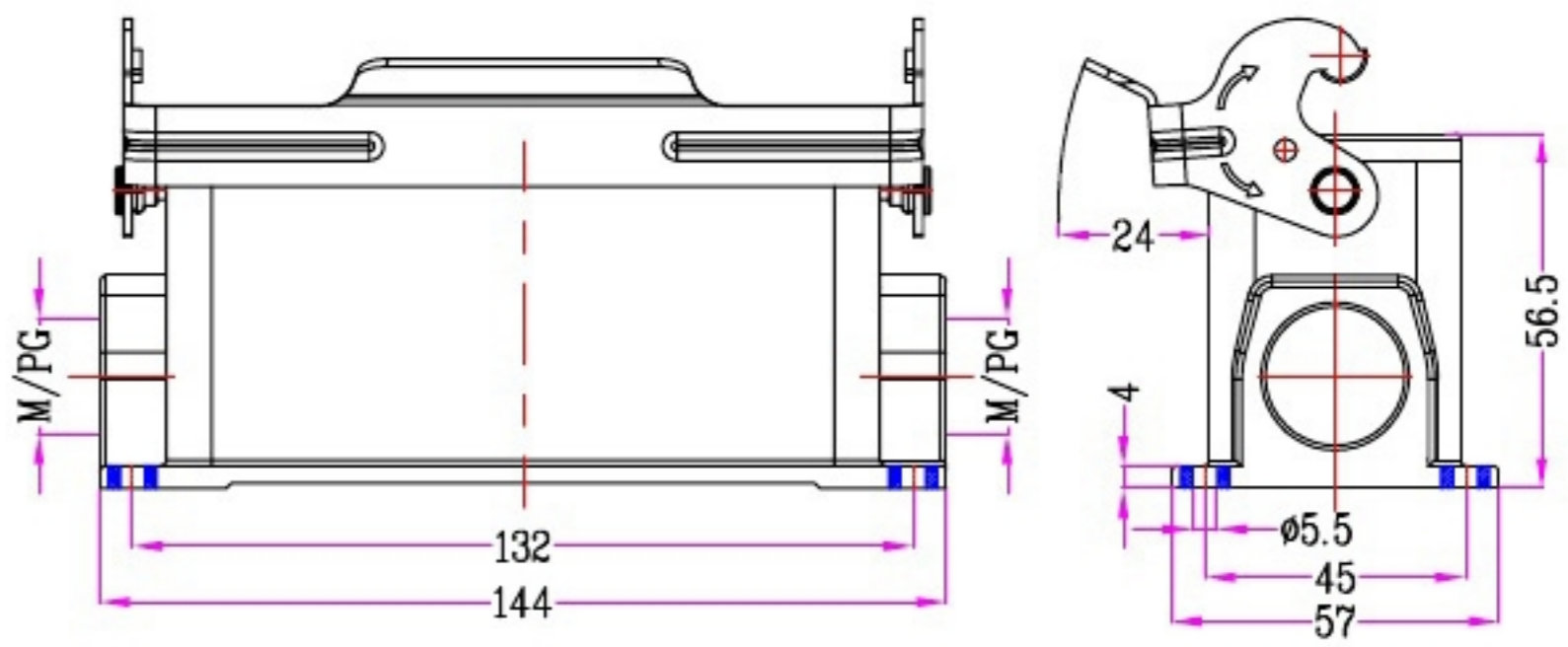



1	2	3	4	5	6	7	8		
Identification	Type name	Part number	Thread(M/PG)	Lever type	REVISION DATA			Your Choice	
Housings Surface mounting	HZW-H24B-SG-1PL-M25	83 324 024 025	M25	Metal	SYM	ECN	DESCRIPTION	DATE	APPROVED
	HZW-H24B-SG-1PL-2M25	83 324 024 225	2M25	Metal					
	HZW-H24B-SG-1PL-PG21	83 324 024 021	PG21	Metal					
	HZW-H24B-SG-1PL-2PG21	83 324 024 221	2PG21	Metal					



	SIGNATURE	DATE	Units	mm	 宁波欧科瑞连接器有限公司 NINGBO OKERUI CONNECTOR CO.,LTD.		
DRAW			Size	A4	TYPE NAME	HZW-H24B-SG-1PL-M/PG	
DESIGN			Scale		Part number	83 324 024 XXX	REV
CHECK			Sheet	1/1	File path	OKR. 24B. H24BL	A0
APPROVE			Proj.	