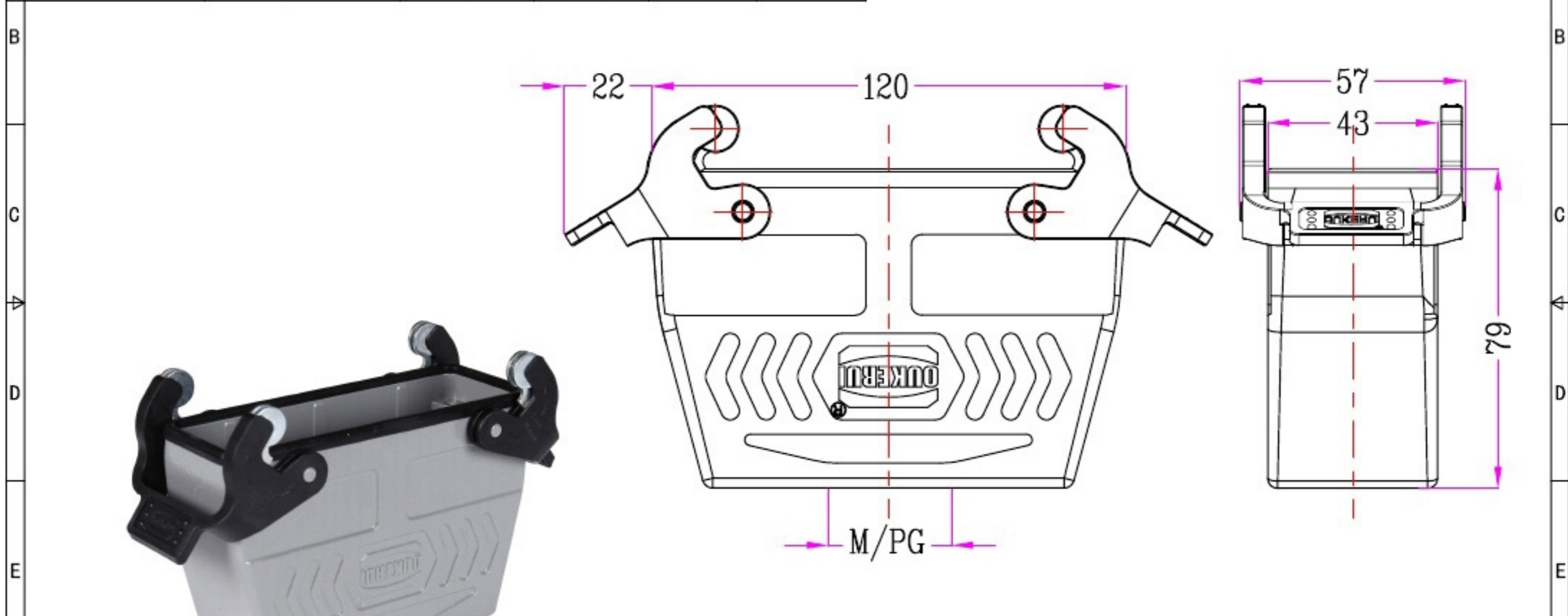

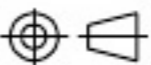


| 1 | 2 | 3 | 4 | 5 | 6 | 7 | 8 | | | |
|----------------------------------------------|--------------------------|----------------|--------------|-------------------|-------------|---------------|-----|-------------|------|----------|
| Identification | Type name | Part number | Thread(M/PG) | Lever type | Your Choice | REVISION DATA | | | | |
| Housings Cable to cable High structure | HZW-H24B-DJKH-2PL/R-M32 | 86 314 024 132 | M32 | Plastic and Metal | | SYM | ECN | DESCRIPTION | DATE | APPROVED |
| | HZW-H24B-DJKH-2PL/R-M40 | 86 314 024 140 | M40 | Plastic and Metal | | | | | | |
| | HZW-H24B-DJKH-2PL/R-PG21 | 86 314 024 121 | PG21 | Plastic and Metal | | | | | | |
| | HZW-H24B-DJKH-2PL/R-PG29 | 86 314 024 129 | PG29 | Plastic and Metal | | | | | | |
| | HZW-H24B-DJKH-2PL/M-M32 | 86 314 024 132 | M32 | Metal | | | | | | |
| | HZW-H24B-DJKH-2PL/M-M40 | 86 314 024 140 | M40 | Metal | | | | | | |
| | HZW-H24B-DJKH-2PL/M-PG21 | 86 314 024 121 | PG21 | Metal | | | | | | |
| | HZW-H24B-DJKH-2PL/M-PG29 | 86 314 024 129 | PG29 | Metal | | | | | | |



| | | | | | | |
|---------|-----------|------|-------|---------------------------------------------------------------------------------------|-----------------------------------------------------------------------------------------------------------------------------------------|--------------------|
| | SIGNATURE | DATE | Units | mm |  宁波欧科瑞连接器有限公司 NINGBO OUKERUI CONNECTOR CO.,LTD. | |
| DRAW | | | Size | A4 | TYPE NAME HZW-H24B-DJKH-2PL/RM-M/PG | |
| DESIGN | | | Scale | | Part number | 86 314 024 XXX REV |
| CHECK | | | Sheet | 1/1 | File path | OKR. 24B. H24BM A0 |
| APPROVE | | | Proj. |  | | |