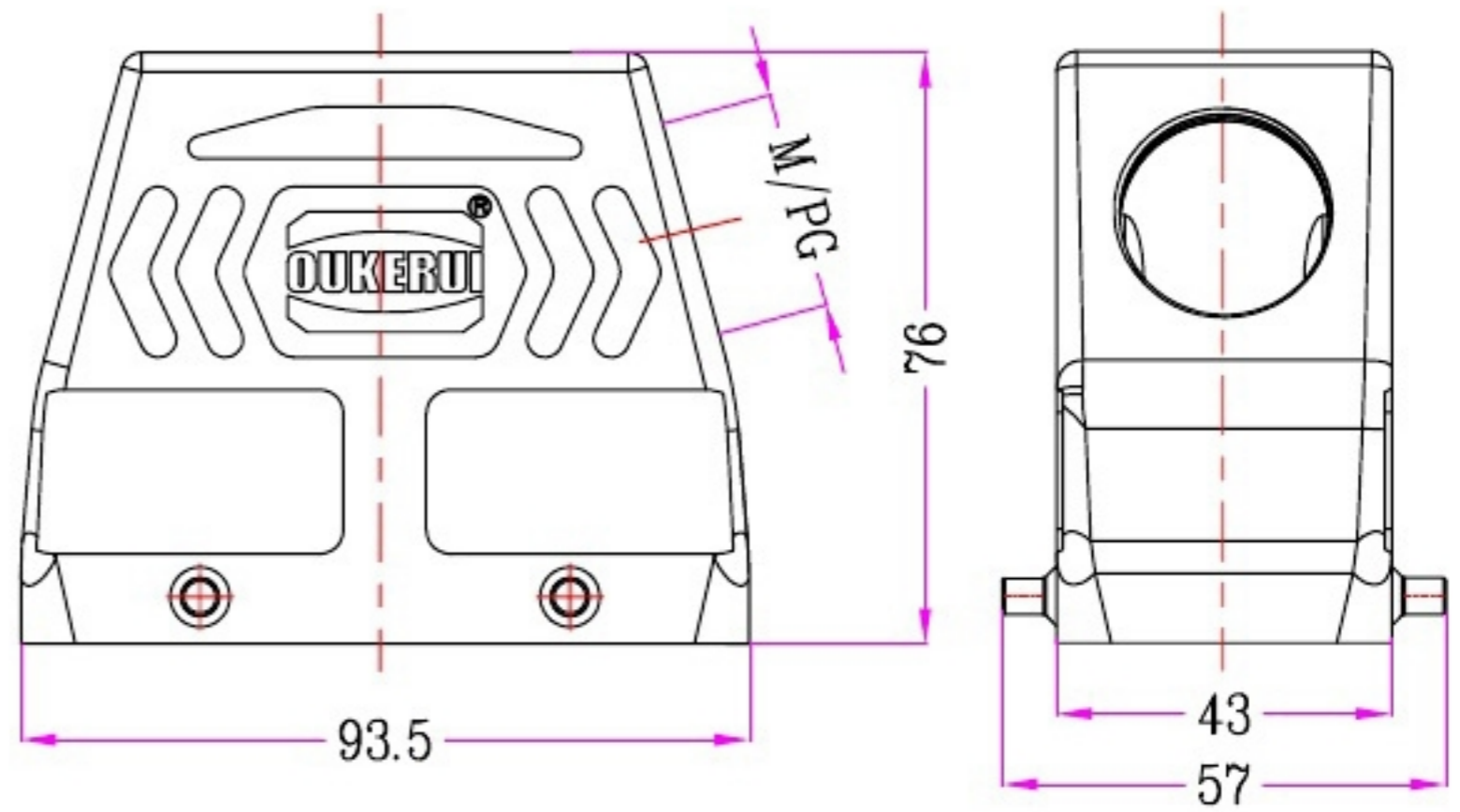

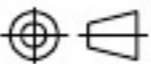


1	2	3	4	5	6	7	8		
Identification	Type name	Part number	Thread(M/PG)	Your Choice	REVISION DATA				
Hoods Side entry High structure	HZW-H16B-SKH-4g-M32	81 313 016 132	M32		SYM	ECN	DESCRIPTION	DATE	APPROVED
	HZW-H16B-SKH-4g-M40	81 313 016 140	M40						
	HZW-H16B-SKH-4g-PG21	81 313 016 121	PG21						
	HZW-H16B-SKH-4g-PG29	81 313 016 129	PG29						



	SIGNATURE	DATE	Units	mm	 宁波欧科瑞连接器有限公司 NINGBO OKKERUI CONNECTOR CO.,LTD.		
DRAW			Size	A4			
DESIGN			Scale		TYPE NAME	HZW-H16B-SKH-4g-M/PG	
CHECK			Sheet	1/1	Part number	81 313 016 XXX	REV
APPROVE			Proj.		File path	OKR.16B.H16BM	A0