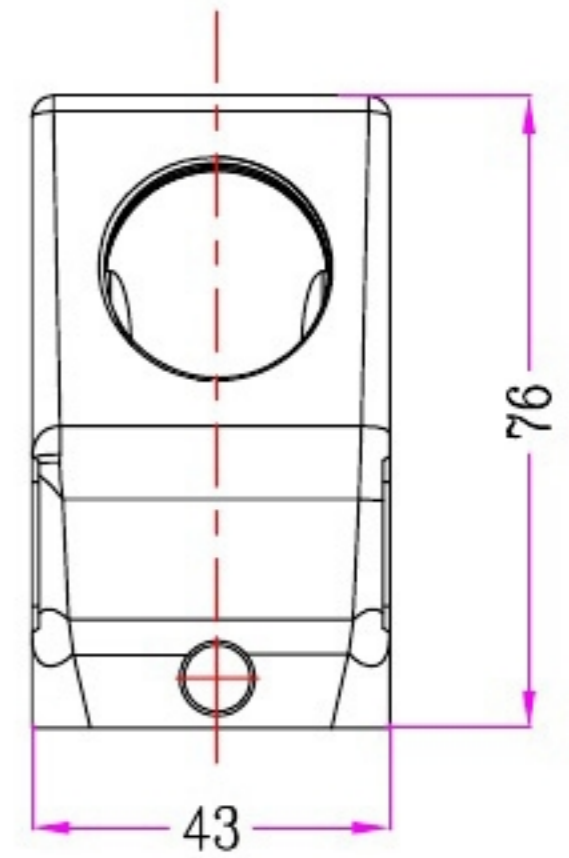
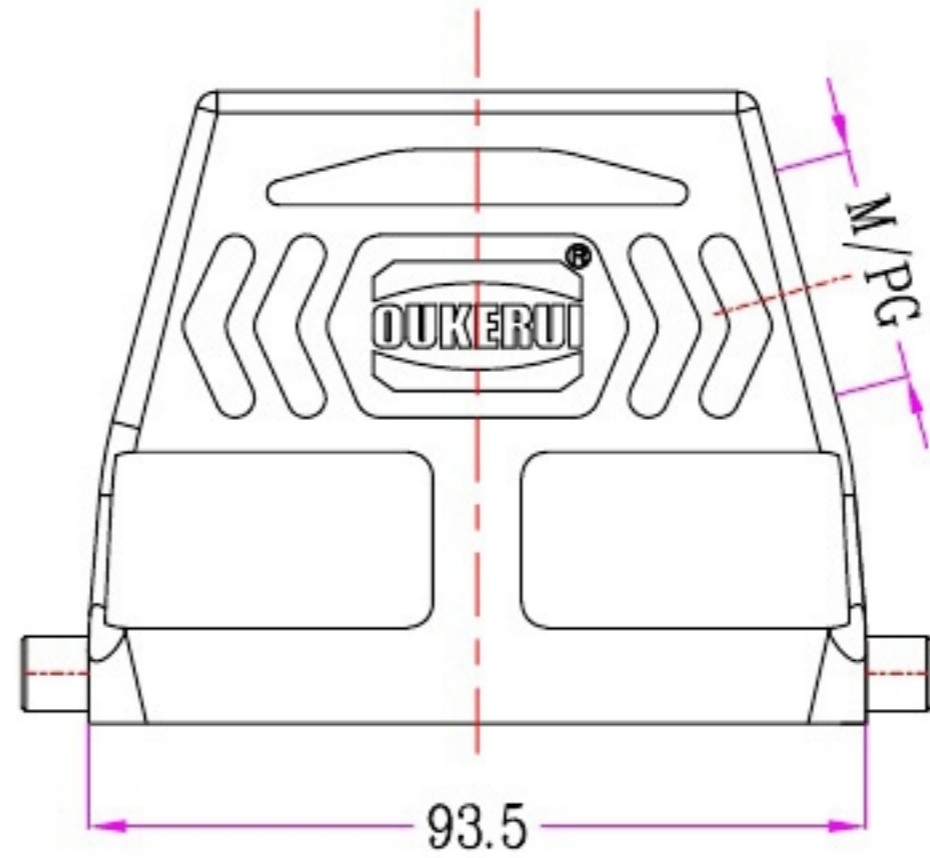

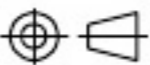


1	2	3	4	5	6	7	8
Identification	Type name	Part number	Thread(M/PG)	Your Choice	REVISION DATA		
Hoods Side entry High structure	HZW-H16B-SKH-2g-M32	82 313 016 132	M32		SYM	ECN	DESCRIPTION
	HZW-H16B-SKH-2g-M40	82 313 016 140	M40				DATE
	HZW-H16B-SKH-2g-PG21	82 313 016 121	PG21				APPROVED
	HZW-H16B-SKH-2g-PG29	82 313 016 129	PG29				



	SIGNATURE	DATE	Units	mm	 宁波欧科瑞连接器有限公司 NINGBO OUKERUI CONNECTOR CO.,LTD.	
DRAW			Size	A4		
DESIGN			Scale		TYPE NAME	HZW-H16B-SKH-2g-M/PG
CHECK			Sheet	1/1	Part number	82 313 016 XXX
APPROVE			Proj.		File path	OKR.16B.H16BM
					REV	A0