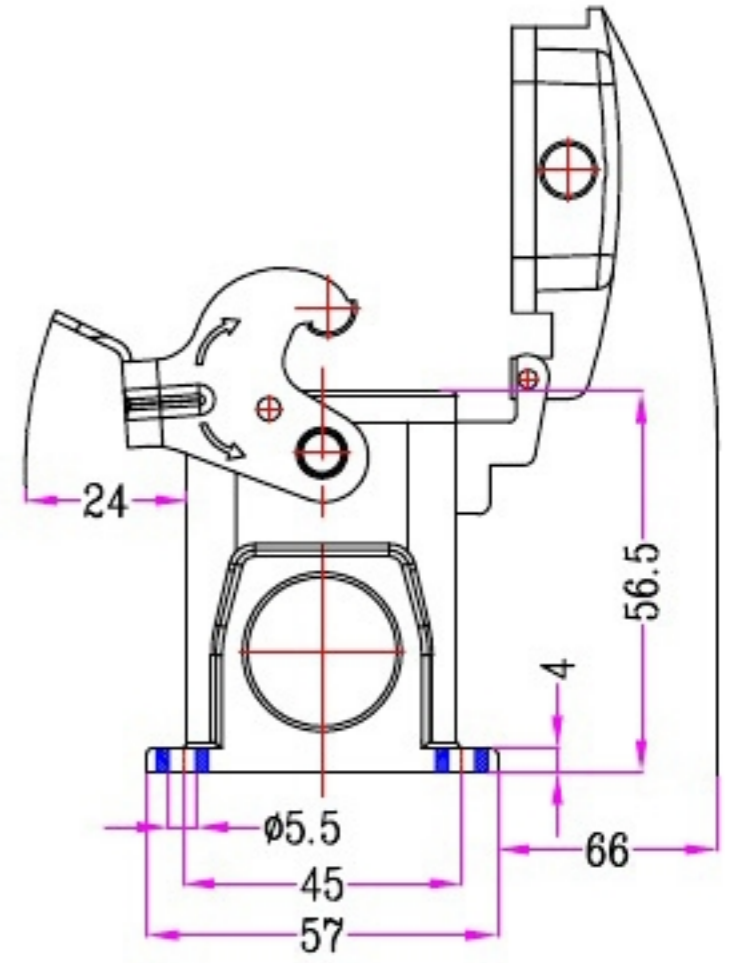
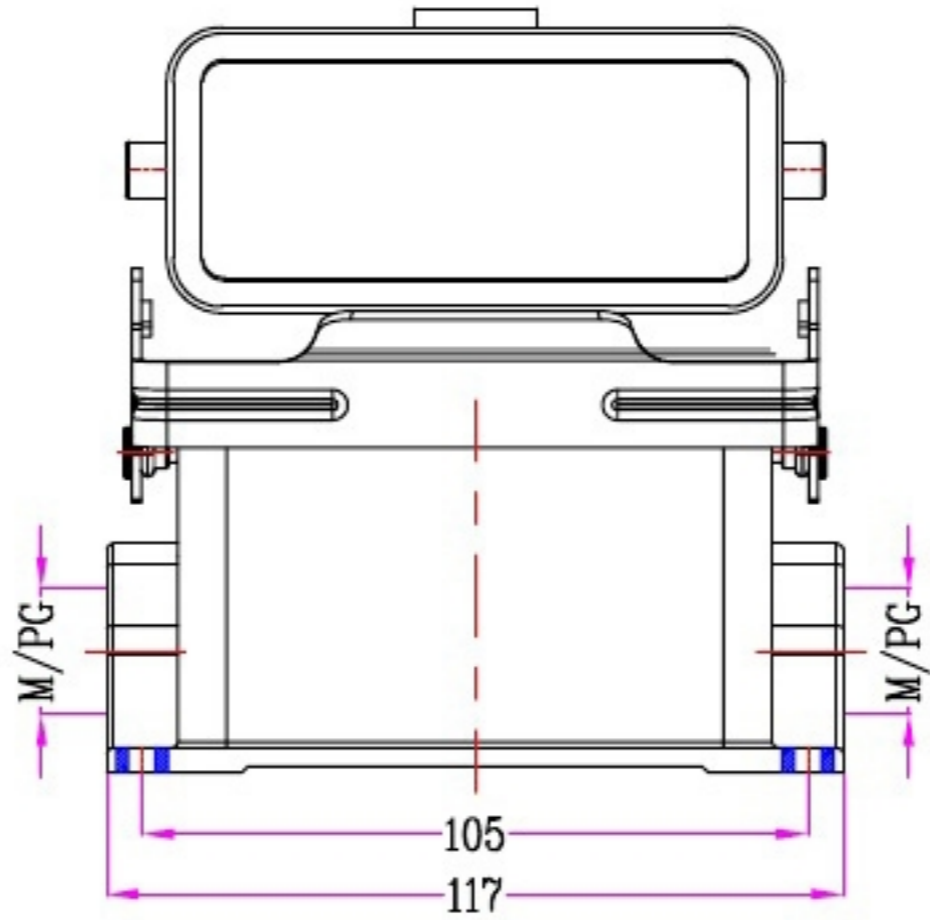

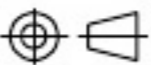


1	2	3	4	5
Identification	Type name	Part number	Thread(M/PG)	Lever type
Housings Surface mounting With metal cover	HZW-H16B-SG-MCV-1PL-M25	84 324 016 025	M25	Metal
	HZW-H16B-SG-MCV-1PL-2M25	84 324 016 225	2M25	Metal
	HZW-H16B-SG-MCV-1PL-PG21	84 324 016 021	PG21	Metal
	HZW-H16B-SG-MCV-1PL-2PG21	84 324 016 221	2PG21	Metal

REVISION DATA				
SYM	ECN	DESCRIPTION	DATE	APPROVED



	SIGNATURE	DATE	Units	mm	 宁波欧科瑞连接器有限公司 NINGBO OUKERUI CONNECTOR CO.,LTD.		
DRAW			Size	A4			
DESIGN			Scale		TYPE NAME	HZW-H16B-SG-MCV-1PL-M/PG	
CHECK			Sheet	1/1	Part number	84 324 016 XXX	REV
APPROVE			Proj.		File path	OKR.16B.H16BL	A0