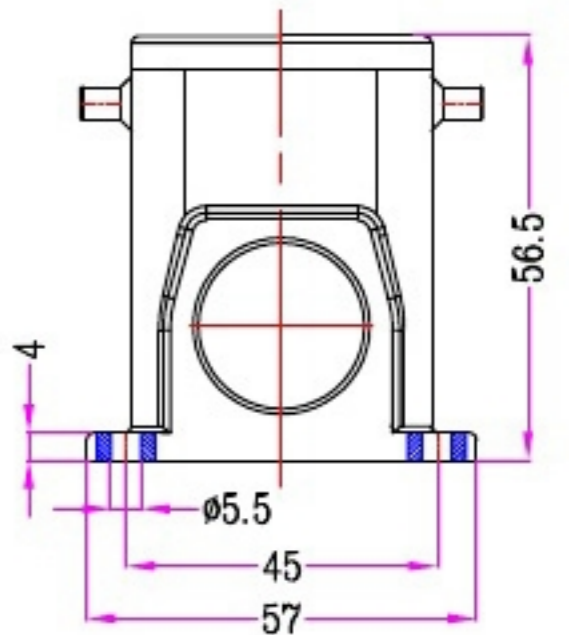
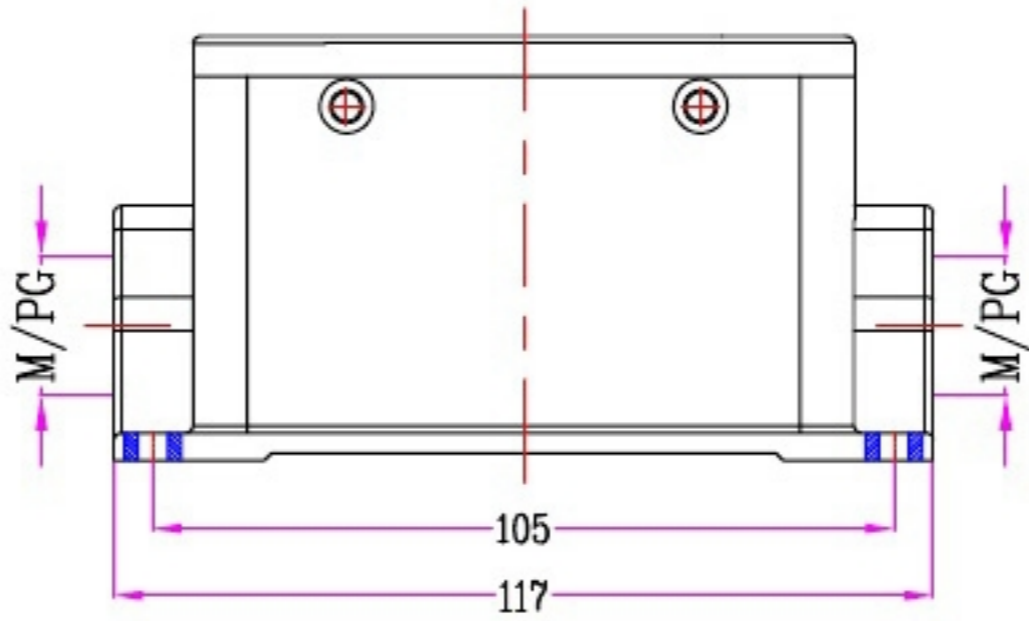

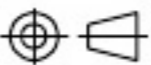


1	2	3	4	5
Identification	Type name	Part number	Thread(M/PG)	Lever type
Housings Surface mounting	HZW-H16B-SG-4g-M25	80 323 016 125	M25	
	HZW-H16B-SG-4g-2M25	80 323 016 225	2M25	
	HZW-H16B-SG-4g-PG21	80 323 016 121	PG21	
	HZW-H16B-SG-4g-2PG21	80 323 016 221	2PG21	

REVISION DATA				
6	7	8	9	10
SYM	ECN	DESCRIPTION	DATE	APPROVED



	SIGNATURE	DATE	Units	mm	 宁波欧科瑞连接器有限公司 NINGBO OKERUI CONNECTOR CO.,LTD.		
DRAW			Size	A4			
DESIGN			Scale		TYPE NAME	HZW-H16B-SG-4g-M/PG	
CHECK			Sheet	1/1	Part number	80 323 016 XXX	REV
APPROVE			Proj.		File path	OKR.16B.H16BL	A0