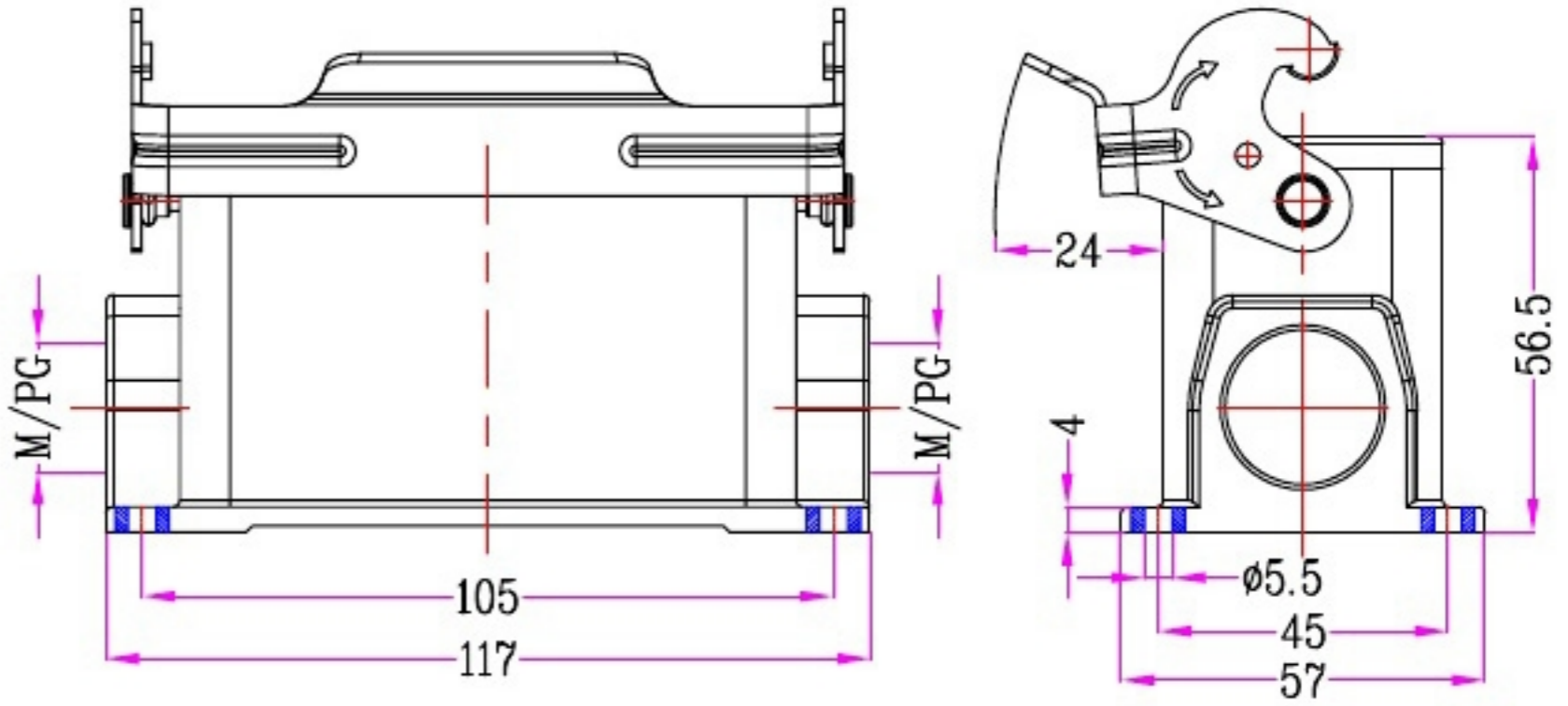

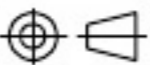


1	2	3	4	5
Identification	Type name	Part number	Thread(M/PG)	Lever type
Housings Surface mounting	HZW-H16B-SG-1PL-M25	83 323 016 025	M25	Metal
	HZW-H16B-SG-1PL-2M25	83 323 016 225	2M25	Metal
	HZW-H16B-SG-1PL-PG21	83 323 016 021	PG21	Metal
	HZW-H16B-SG-1PL-2PG21	83 323 016 221	2PG21	Metal

REVISION DATA				
SYM	ECN	DESCRIPTION	DATE	APPROVED



	SIGNATURE	DATE	Units	mm	 <b>宁波欧科瑞连接器有限公司</b> NINGBO OKERUI CONNECTOR CO.,LTD.	
DRAW			Size	A4		
DESIGN			Scale		TYPE NAME	HZW-H16B-SG-1PL-M/PG
CHECK			Sheet	1/1	Part number	<b>83 323 016 XXX</b> REV
APPROVE			Proj.		File path	OKR.16B.H16BL A0