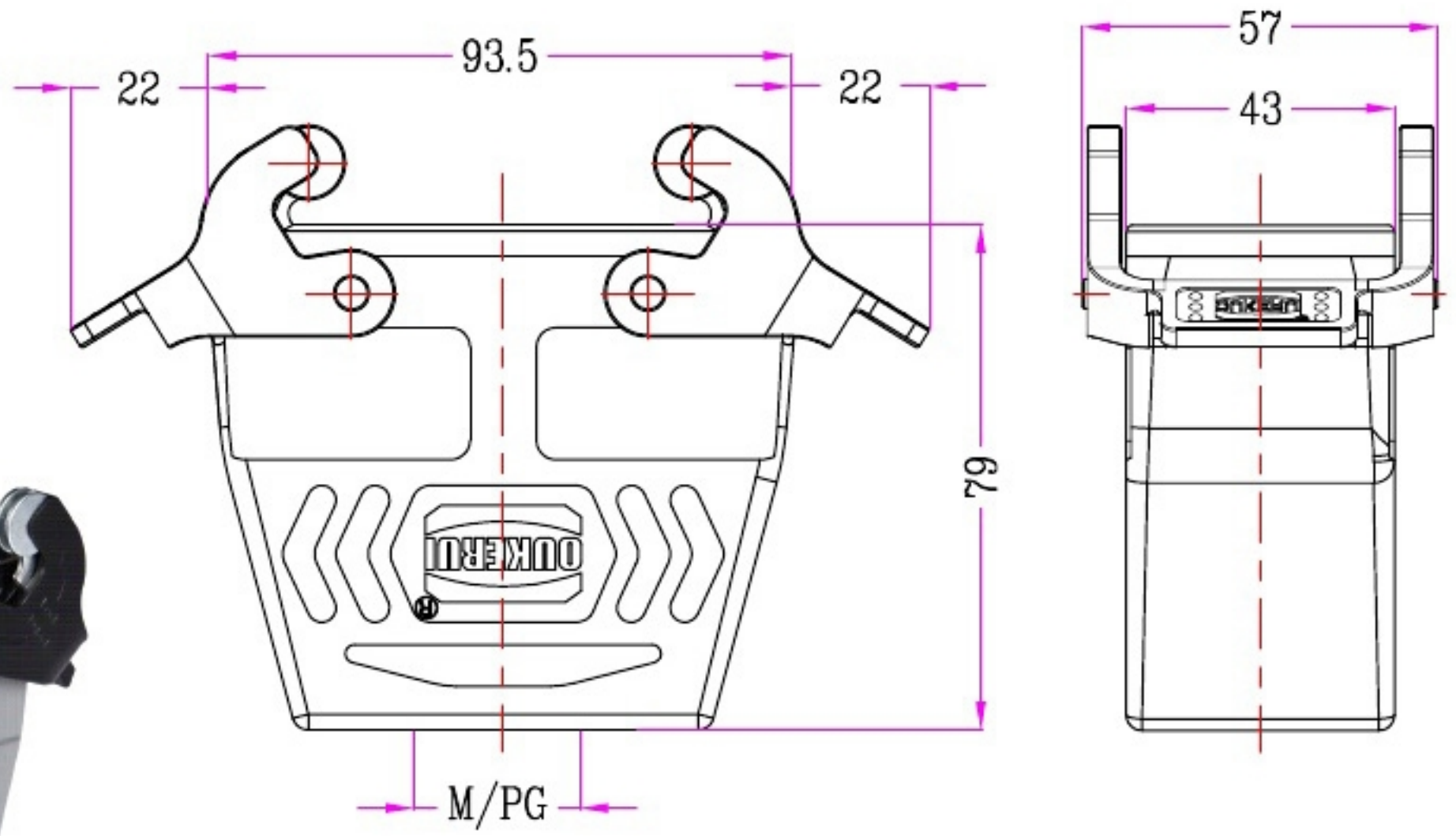

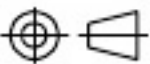


1	2	3	4	5
Identification	Type name	Part number	Thread(M/PG)	Lever type
Housings Cable to cable High structure	HZW-H16B-DJKH-2PL/R-M32	86 313 016 132	M32	Plastic and Metal
	HZW-H16B-DJKH-2PL/R-M40	86 313 016 140	M40	Plastic and Metal
	HZW-H16B-DJKH-2PL/R-PG21	86 313 016 121	PG21	Plastic and Metal
	HZW-H16B-DJKH-2PL/R-PG29	86 313 016 129	PG29	Plastic and Metal
	HZW-H16B-DJKH-2PL/M-M32	86 313 016 132	M32	Metal
	HZW-H16B-DJKH-2PL/M-M40	86 313 016 140	M40	Metal
	HZW-H16B-DJKH-2PL/M-PG21	86 313 016 121	PG21	Metal
	HZW-H16B-DJKH-2PL/M-PG29	86 313 016 129	PG29	Metal

REVISION DATA				
SYM	ECN	DESCRIPTION	DATE	APPROVED



	SIGNATURE	DATE	Units	mm	 宁波欧科瑞连接器有限公司 NINGBO OKERUI CONNECTOR CO.,LTD.		
DRAW			Size	A4			
DESIGN			Scale		TYPE NAME	HZW-H16B-DJKH-2PL/RM-M/PG	
CHECK			Sheet	1/1	Part number	86 313 016 XXX	REV
APPROVE			Proj.		File path	OKR.16B.H16BM	A0