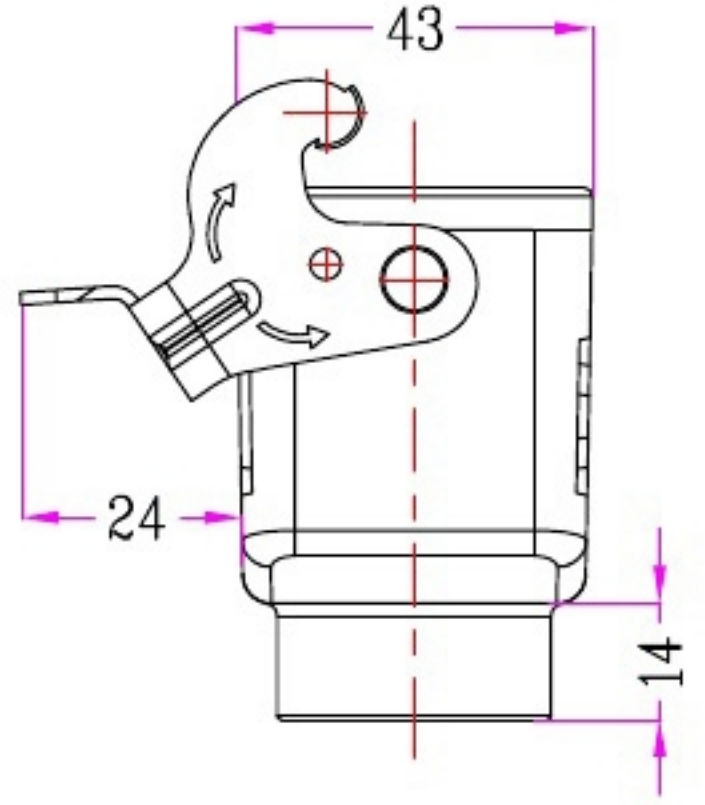
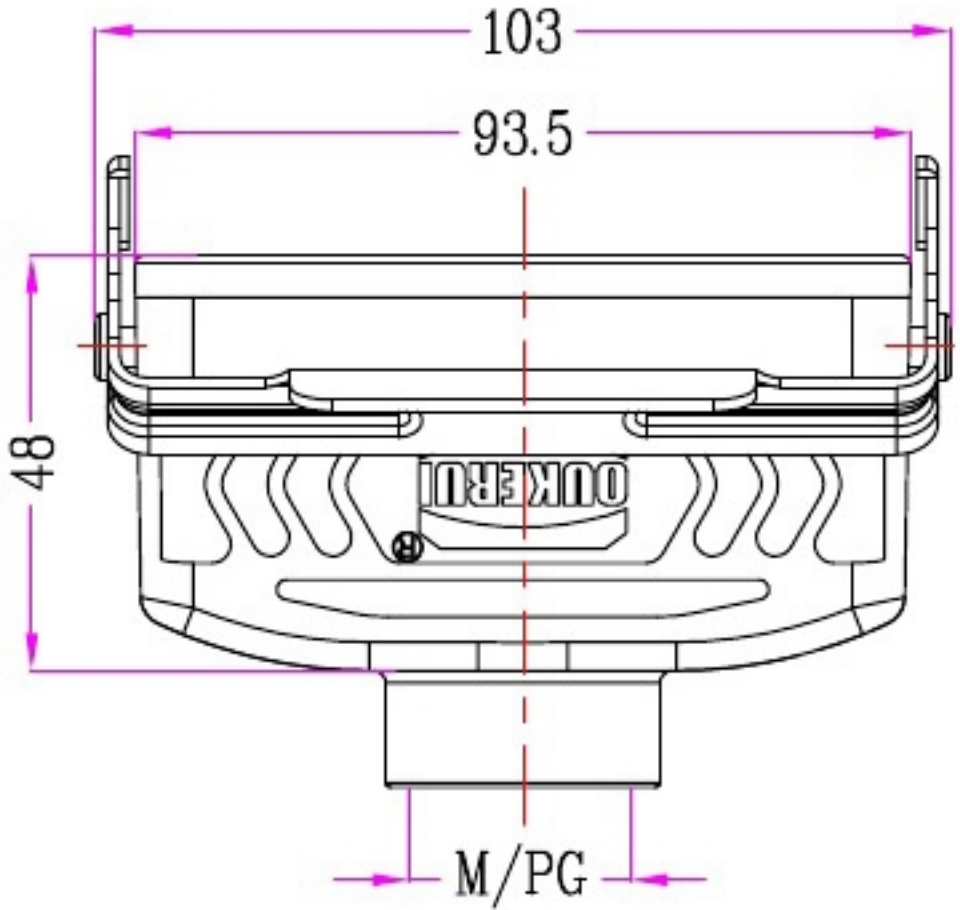



1	2	3	4	5	6	7	8		
Identification	Type name	Part number	Thread(M/PG)	Your Choice	REVISION DATA				
Housings Cable to cable	HZW-H16B-DJK-1PL-M25	85 303 016 125	M25		SYM	ECN	DESCRIPTION	DATE	APPROVED
	HZW-H16B-DJK-1PL-M32	85 303 016 132	M32						
	HZW-H16B-DJK-1PL-PG21	85 303 016 121	PG21						



	SIGNATURE	DATE	Units	mm	 宁波欧科瑞连接器有限公司 NINGBO OKERUI CONNECTOR CO.,LTD.			
DRAW			Size	A4	TYPE NAME		HZW-H16B-DJK-1PL-M/PG	
DESIGN			Scale		Part number		85 303 016 XXX	REV
CHECK			Sheet	1/1	File path		OKR.16B.H16BM	A0
APPROVE			Proj.	