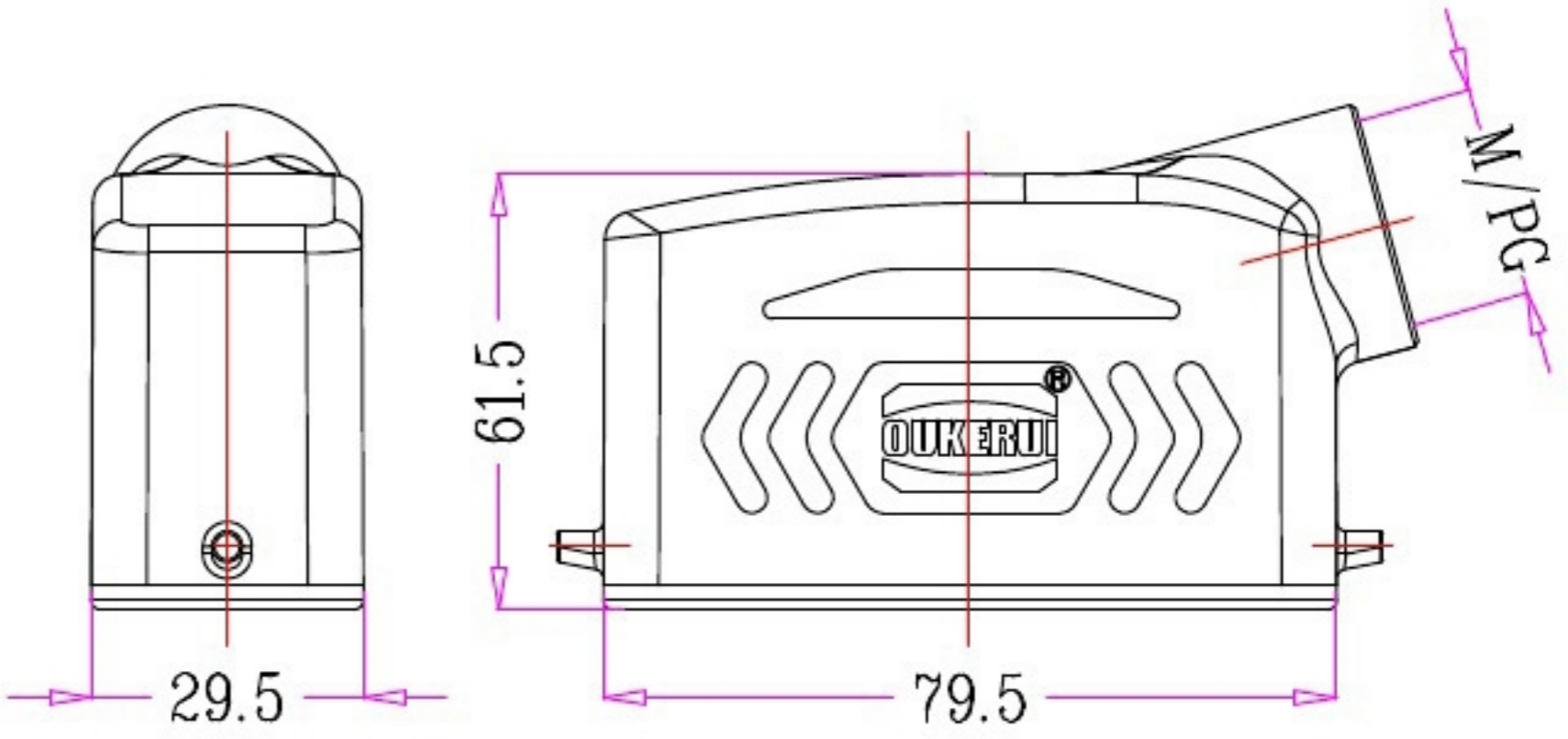

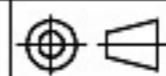


1	2	3	4	5
Identification	Type name	Part number	Thread (M/PG)	Your Choice
Hoods Top entry	<b>HZW-H16A-SK-2g-M20</b>	<b>81 261 016 120</b>	<b>M20</b>	
	<b>HZW-H16A-SK-2g-PG16</b>	<b>81 261 016 116</b>	<b>PG16</b>	

REVISION DATA				
SYM	ECN	DESCRIPTION	DATE	APPROVED



	SIGNATURE	DATE	Units	mm	 <b>宁波欧科瑞连接器有限公司</b> NINGBO OUKERUI CONNECTOR CO.,LTD.
DRAW			Size	A4	
DESIGN			Scale	1:1	TYPE NAME <b>HZW-H16A-SK-2g-M/PG</b>
CHECK			Sheet	1/1	Part number <b>81 261 016 XXX</b> REV
APPROVE			Proj.		File path OKR_16A_H16AM AO