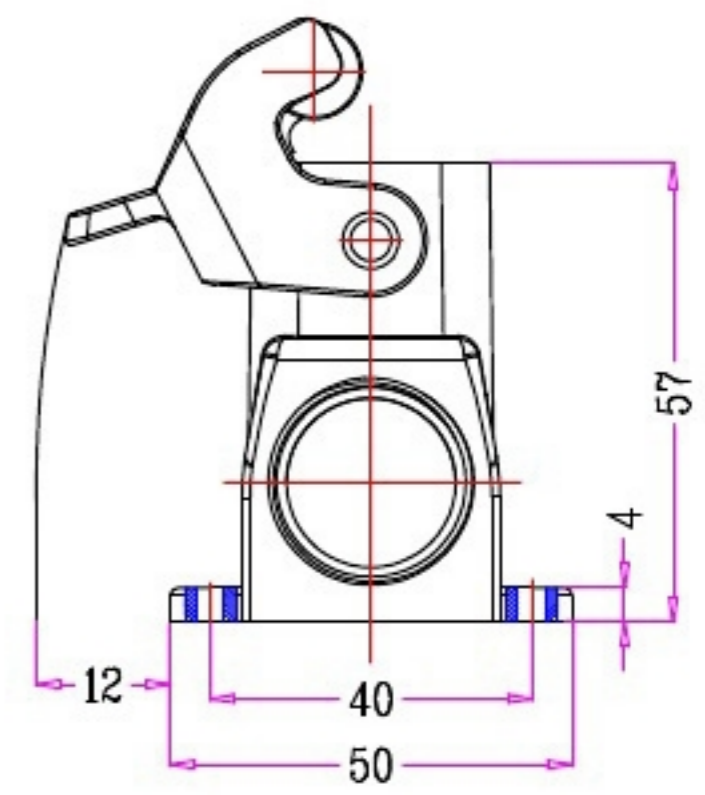
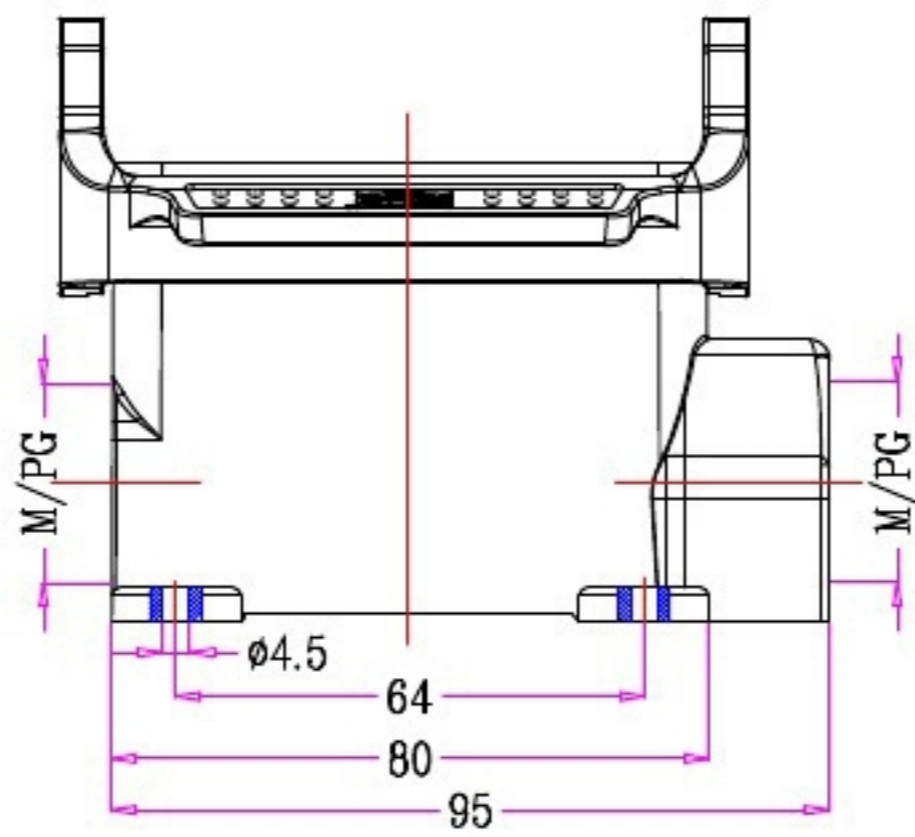

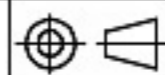


1	2	3	4	5
Identification	Type name	Part number	Thread (M/PG)	Your Choice
Housings Surface mounting	HZW-H16A-SG-1PL-M20	81 271 016 120	M20	
	HZW-H16A-SG-1PL-2M20	81 271 016 220	2M20	
	HZW-H16A-SG-1PL-M25	81 271 016 125	M25	
	HZW-H16A-SG-1PL-2M25	81 271 016 225	2M25	
	HZW-H16A-SG-1PL-PG16	81 271 016 116	PG16	
	HZW-H16A-SG-1PL-2PG16	81 271 016 216	2PG16	
	HZW-H16A-SG-1PL-PG21	81 271 016 121	PG21	

REVISION DATA				
SYM	ECN	DESCRIPTION	DATE	APPROVED



	SIGNATURE	DATE	Units	mm	 宁波欧科瑞连接器有限公司 NINGBO OUKERUI CONNECTOR CO.,LTD.	
DRAW			Size	A4		
DESIGN			Scale	1.25:1	TYPE NAME	HZW-H16A-SG-1PL-M/PG
CHECK			Sheet	1/1	Part number	81 271 016 XXX REV
APPROVE			Proj.		File path	OKR_16A_H16AL AO