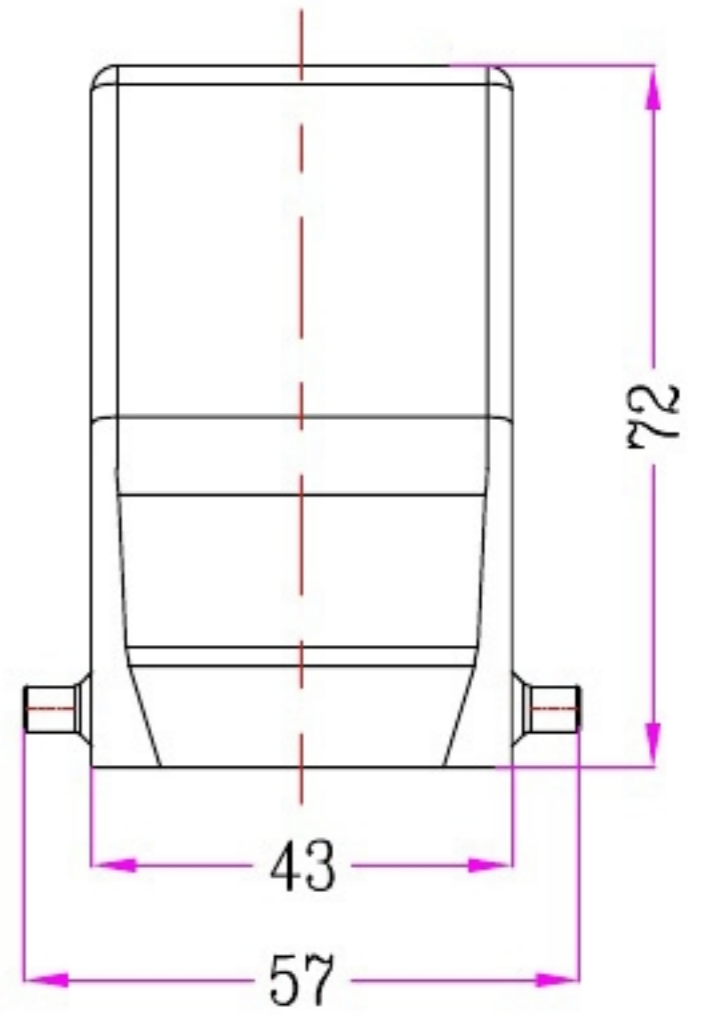
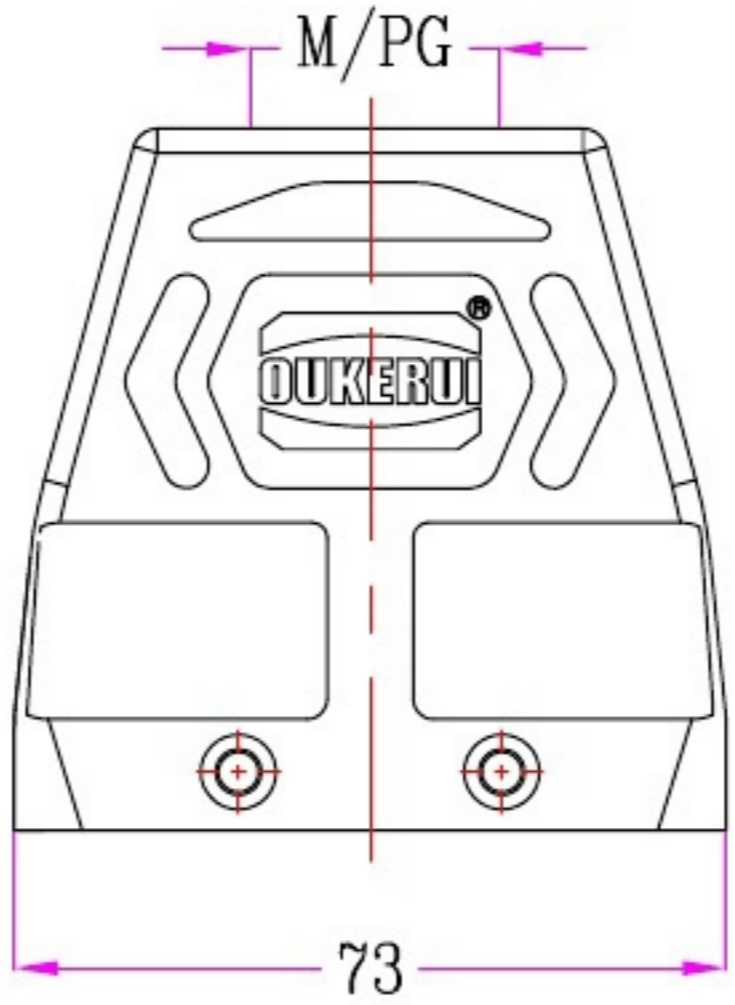



1	2	3	4	5	6	7	8
Identification	Type name	Part number	Thread(M/PG)	Your Choice	REVISION DATA		
Hoods Top entry High structure	HZW-H10B-TKH-4g-M25	81 302 010 125	M25		SYM	ECN	DESCRIPTION
	HZW-H10B-TKH-4g-M32	81 302 010 132	M32				DATE
	HZW-H10B-TKH-4g-PG21	81 302 010 121	PG21				APPROVED
	HZW-H10B-TKH-4g-PG29	81 302 010 129	PG29				



	SIGNATURE	DATE	Units	mm	 宁波欧科瑞连接器有限公司 NINGBO OUKERUI CONNECTOR CO.,LTD.		
DRAW			Size	A4	TYPE NAME	HZW-H10B-TKH-4g-M/PG	
DESIGN			Scale		Part number	81 302 010 XXX	REV
CHECK			Sheet	1/1	File path	OKR.10B.H10BM	A0
APPROVE			Proj.	