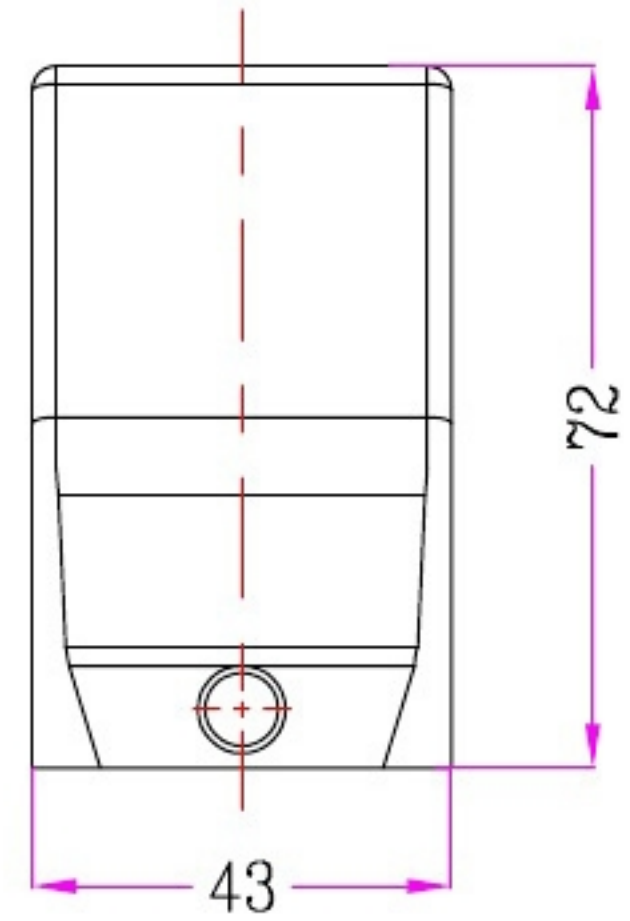
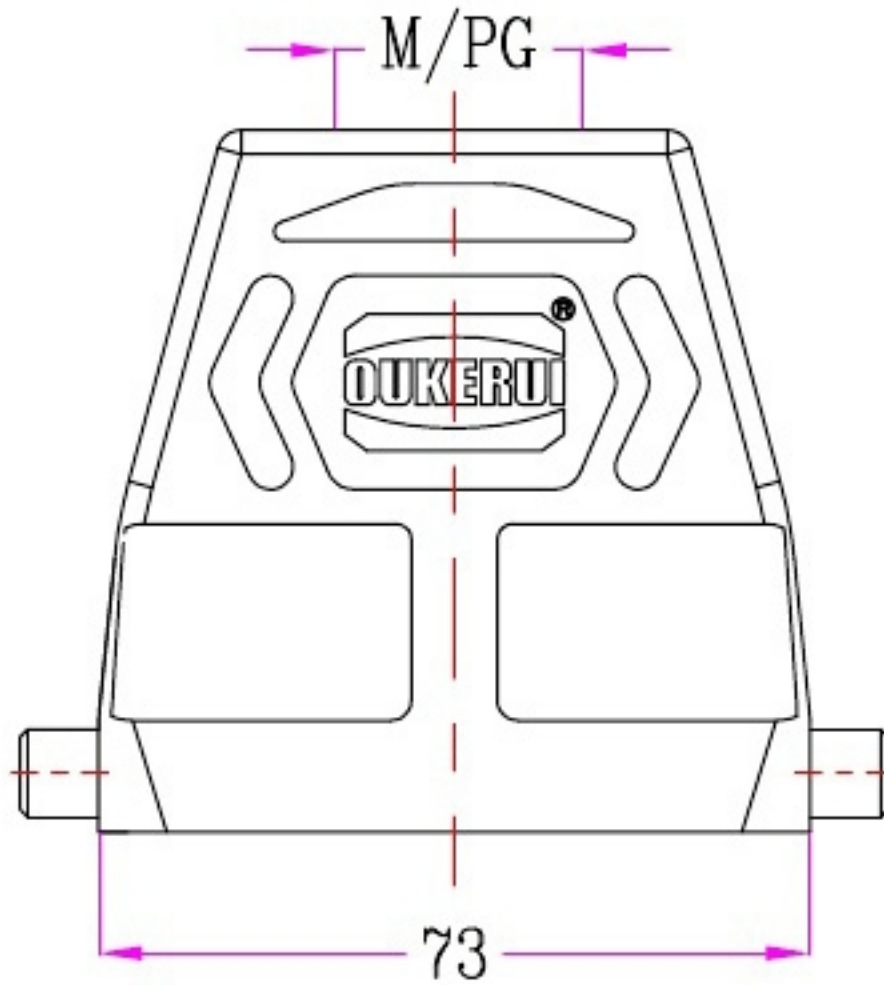



1	2		3	4	5	6		7	8	
Identification	Type name		Part number	Thread(M/PG)	Your Choice	REVISION DATA				
Hoods	HZW-H10B-TKH-2g-M25		82 302 010 125	M25		SYM	ECN	DESCRIPTION	DATE	APPROVED
Top entry	HZW-H10B-TKH-2g-M32		82 302 010 132	M32						
High structure	HZW-H10B-TKH-2g-PG21		82 302 010 121	PG21						
	HZW-H10B-TKH-2g-PG29		82 302 010 129	PG29						



	SIGNATURE	DATE	Units	mm	 宁波欧科瑞连接器有限公司 NINGBO OKERUI CONNECTOR CO.,LTD.	
DRAW			Size	A4	TYPE NAME	HZW-H10B-TKH-2g-M/PG
DESIGN			Scale		Part number	82 302 010 XXX REV
CHECK			Sheet	1/1	File path	OKR.10B.H10BM A0
APPROVE			Proj.	