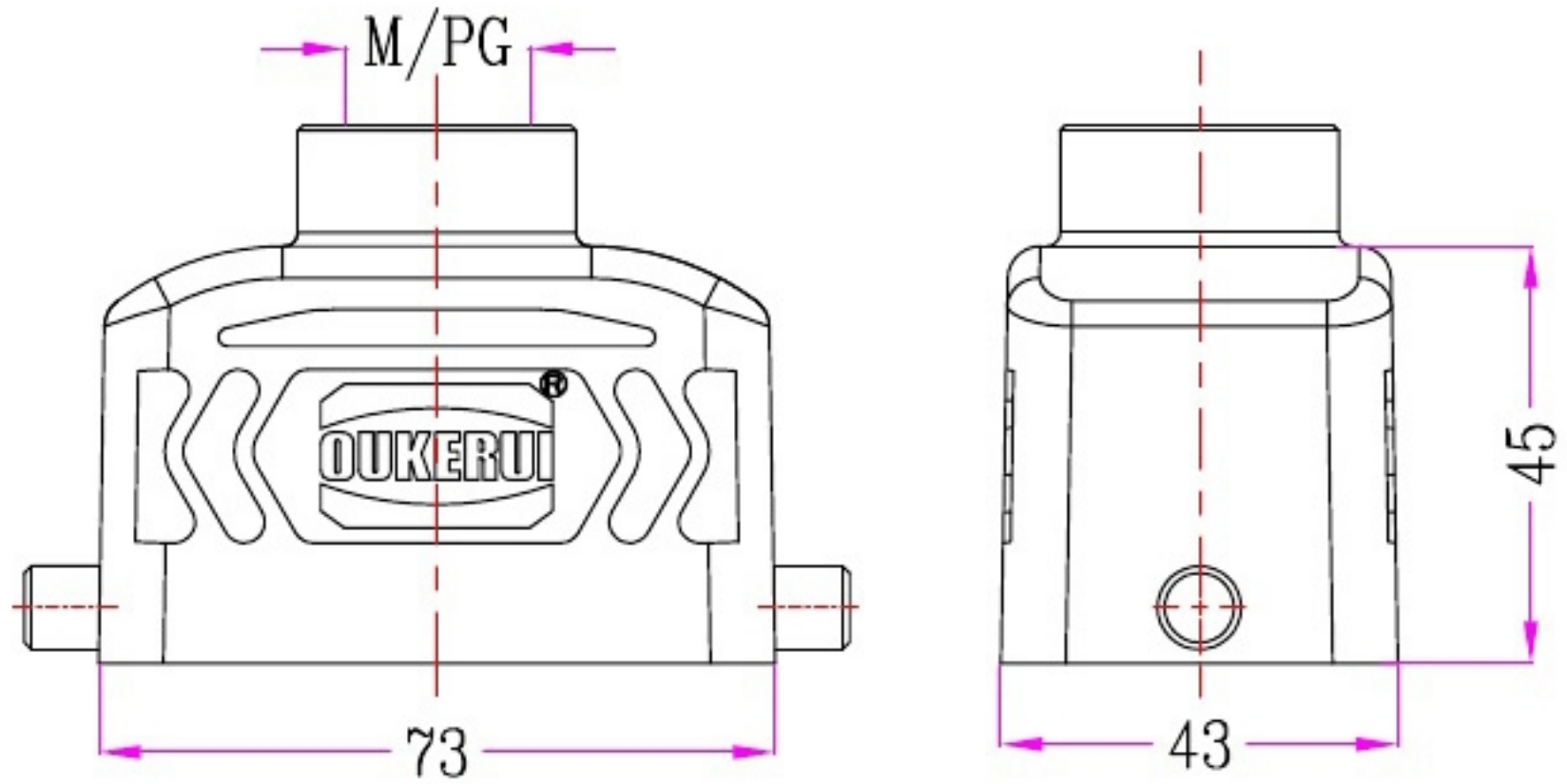

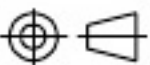


1	2	3	4	5	6	7	8		
Identification	Type name	Part number	Thread(M/PG)	Your Choice	REVISION DATA				
Hoods Top entry	HZW-H10B-TK-2g-M20	82 302 010 020	M20		SYM	ECN	DESCRIPTION	DATE	APPROVED
	HZW-H10B-TK-2g-M25	82 302 010 025	M25						
	HZW-H10B-TK-2g-PG16	82 302 010 016	PG16						



	SIGNATURE	DATE	Units	mm	 宁波欧科瑞连接器有限公司 NINGBO OUKERUI CONNECTOR CO.,LTD.		
DRAW			Size	A4			
DESIGN			Scale		TYPE NAME	HZW-H10B-TK-2g-M/PG	
CHECK			Sheet	1/1	Part number	82 302 010 XXX	REV
APPROVE			Proj.		File path	OKR.10B.H10BM	A0