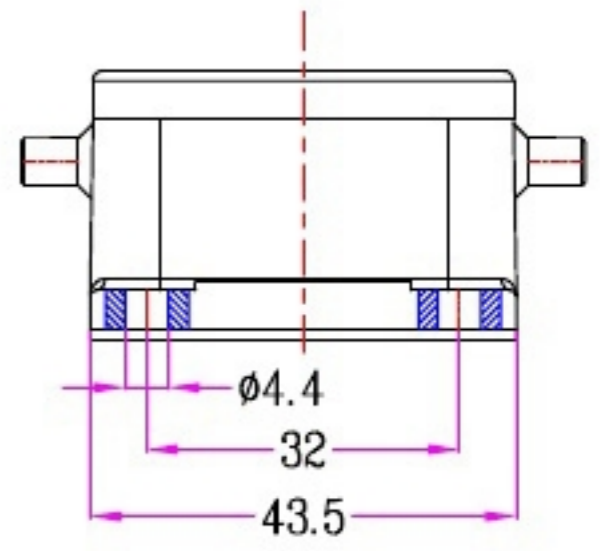
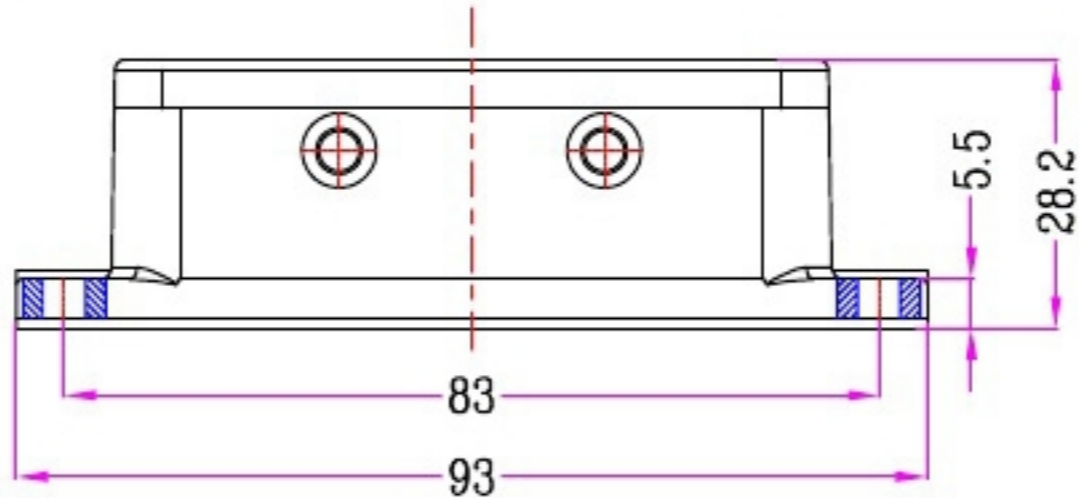
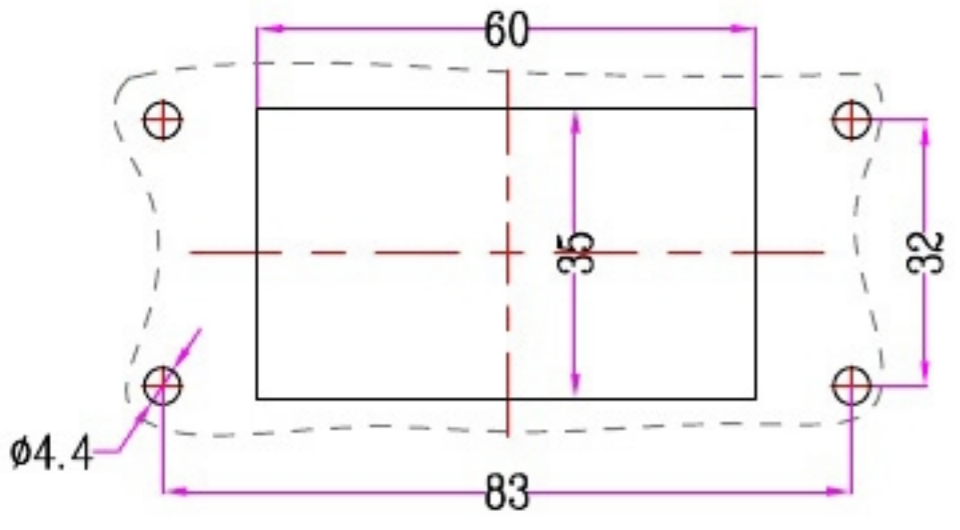



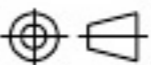
| | | | | |
|-------------------|----------------|----------------|--------------|-------------|
| 1 | 2 | 3 | 4 | 5 |
| Identification | Type name | Part number | Thread(M/PG) | Lever type |
| Housings | HZW-H10B-ST-4g | 81 302 010 100 | | |
| Bulkhead mounting | | | | Your Choice |

| | | | | |
|---------------|-----|-------------|------|----------|
| REVISION DATA | | | | |
| SYM | ECN | DESCRIPTION | DATE | APPROVED |
| | | | | |
| | | | | |



Bulkhead mounting
Panel cut out



| | | | | | | | |
|---------|-----------|------|-------|---|--|----------------|-----|
| | SIGNATURE | DATE | Units | mm |  宁波欧科瑞连接器有限公司 NINGBO OKERUI CONNECTOR CO.,LTD. | | |
| DRAW | | | Size | A4 | | | |
| DESIGN | | | Scale | | TYPE NAME | HZW-H10B-ST-4g | |
| CHECK | | | Sheet | 1/1 | Part number | 81 302 010 100 | REV |
| APPROVE | | | Proj. |  | File path | OKR.10B.H10BL | A0 |