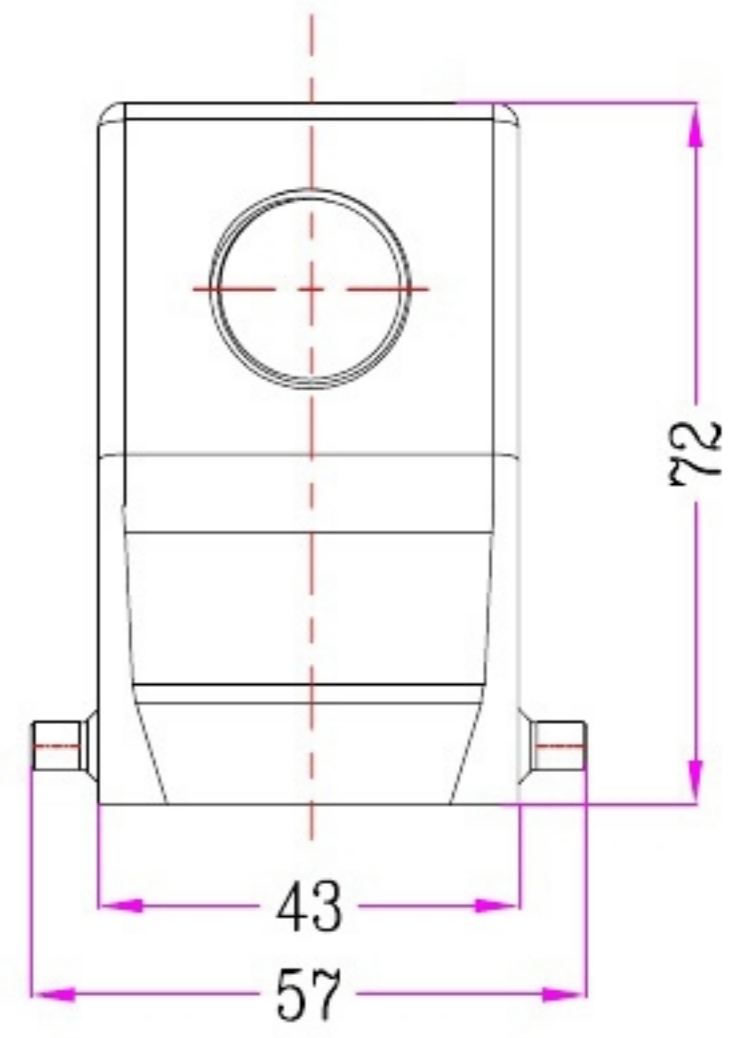
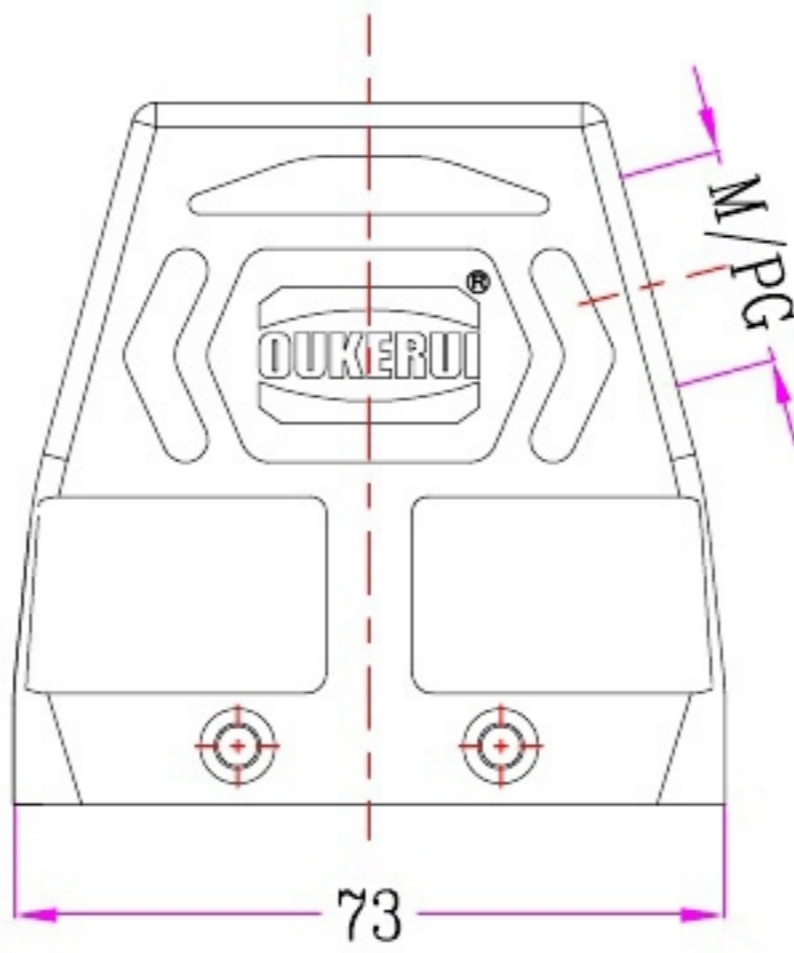



1	2		3	4	5	6		7	8	
Identification	Type name		Part number	Thread(M/PG)	Your Choice	REVISION DATA				
Hoods	HZW-H10B-SKH-4g-M25		81 312 010 125	M25		SYM	ECN	DESCRIPTION	DATE	APPROVED
Side entry	HZW-H10B-SKH-4g-M32		81 312 010 132	M32						
High structure	HZW-H10B-SKH-4g-PG21		81 312 010 121	PG21						
	HZW-H10B-SKH-4g-PG29		81 312 010 129	PG29						



	SIGNATURE	DATE	Units	mm	 宁波欧科瑞连接器有限公司 NINGBO OKKERUI CONNECTOR CO.,LTD.	
DRAW			Size	A4	TYPE NAME	HZW-H10B-SKH-4g-M/PG
DESIGN			Scale		Part number	81 312 010 XXX REV
CHECK			Sheet	1/1	File path	OKR. 10B. H10BM A0
APPROVE			Proj.	