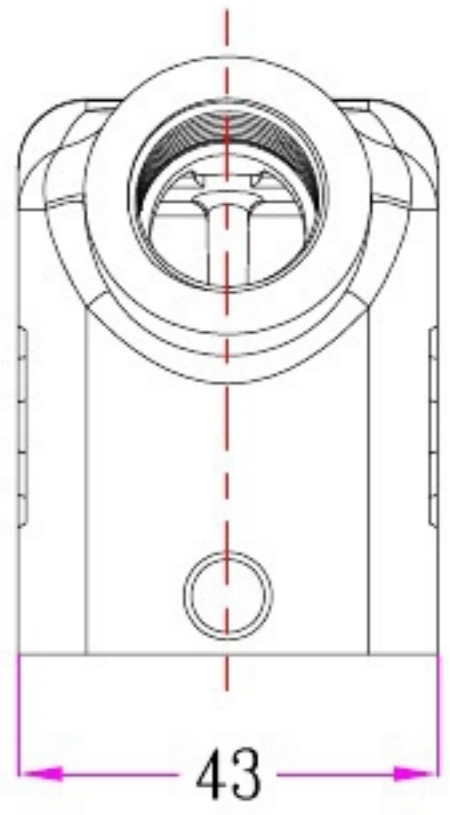
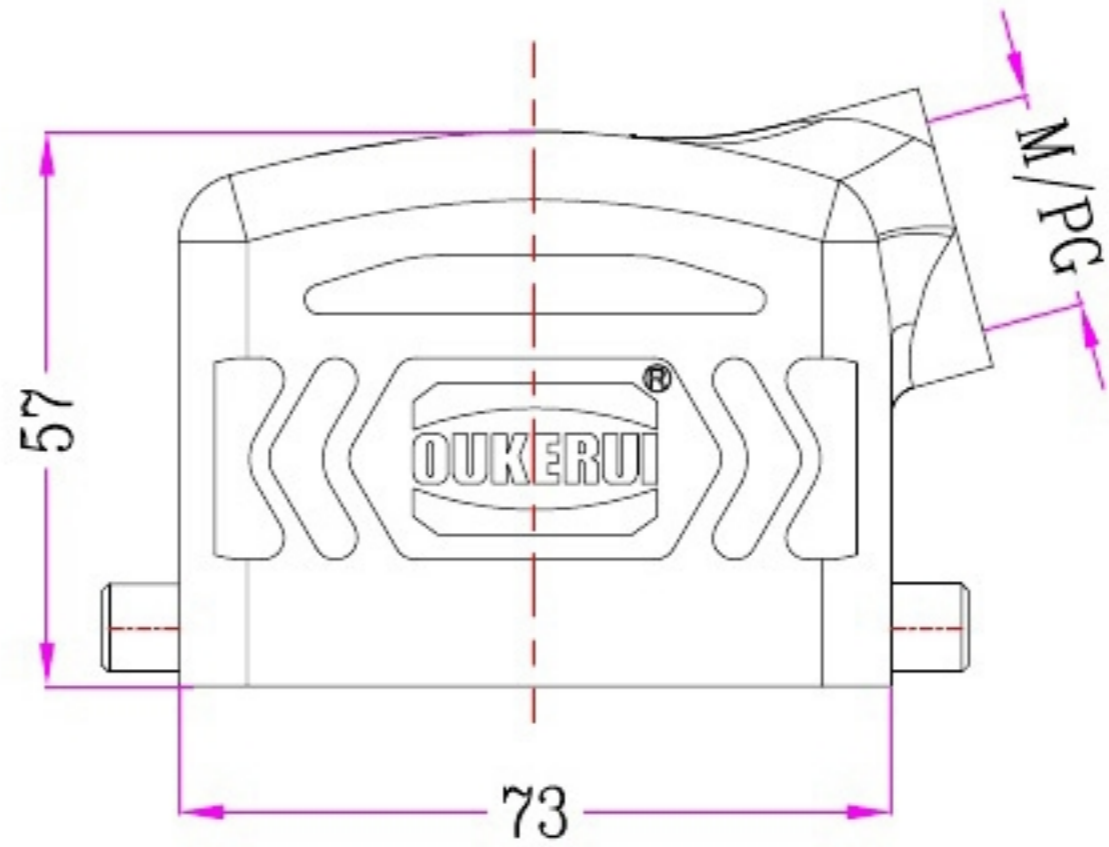



1	2	3	4	5
Identification	Type name	Part number	Thread(M/PG)	Your Choice
Hoods Side entry	HZW-H10B-SK-2g-M20	82 312 010 020	M20	
	HZW-H10B-SK-2g-M25	82 312 010 025	M25	
	HZW-H10B-SK-2g-PG16	82 312 010 016	PG16	

6					7			8						
REVISION DATA					SYM		ECN		DESCRIPTION		DATE		APPROVED	



	SIGNATURE	DATE	Units	mm	 宁波欧科瑞连接器有限公司 NINGBO OUKERUI CONNECTOR CO.,LTD.				
DRAW			Size	A4	TYPE NAME		HZW-H10B-SK-2g-M/PG		
DESIGN			Scale		Part number		82 312 010 XXX		REV
CHECK			Sheet	1/1	File path		OKR.10B.H10BM		A0
APPROVE			Proj.	