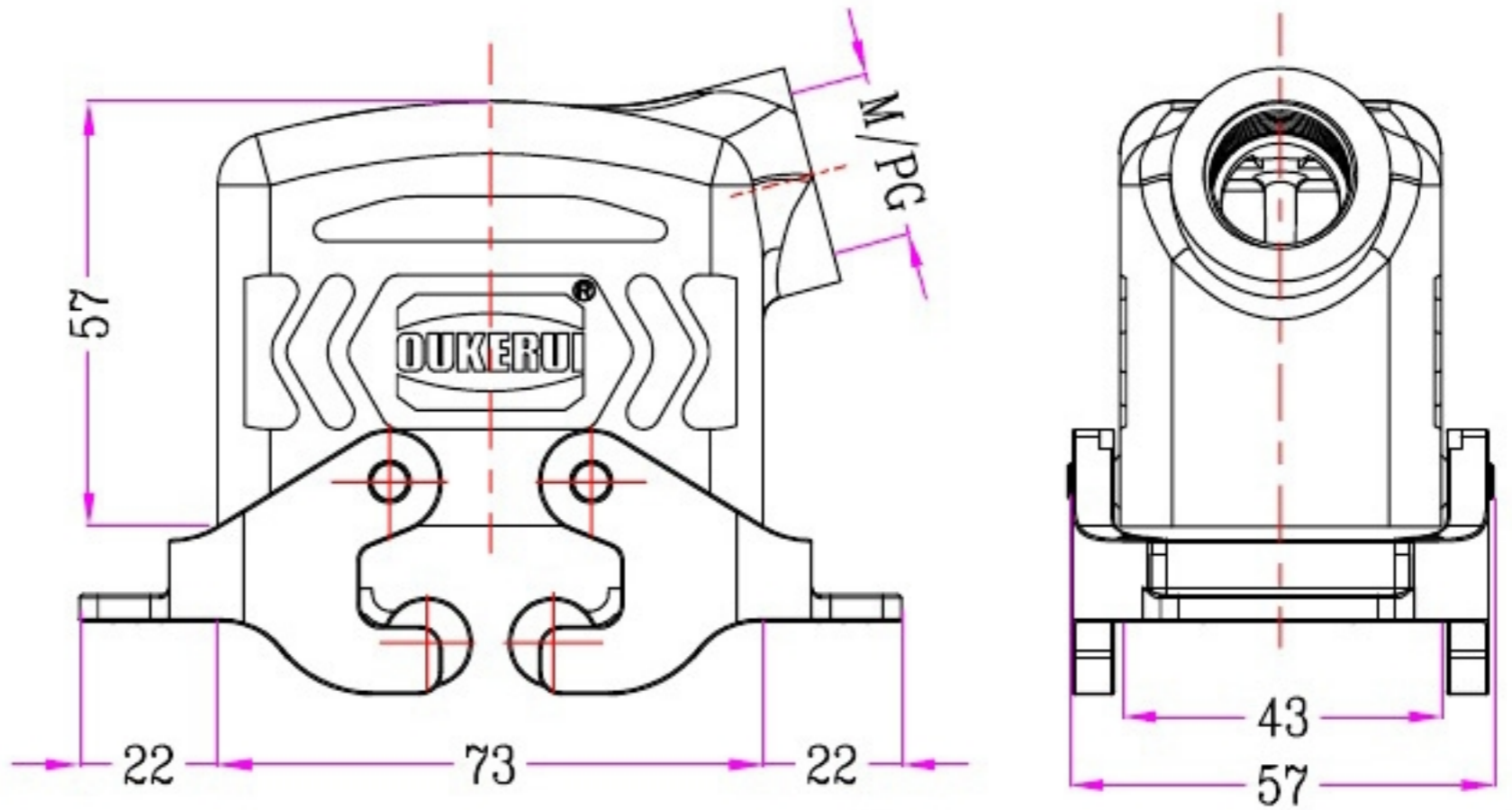



1	2	3	4	5	6	7	8		
Identification	Type name	Part number	Thread(M/PG)	Lever type	REVISION DATA			Your Choice	
Hoods Side entry	HZW-H10B-SK-2PL/R-M20	83 312 010 020	M20	Plastic and Metal	SYM	ECN	DESCRIPTION	DATE	APPROVED
	HZW-H10B-SK-2PL/R-M25	83 312 010 025	M25	Plastic and Metal					
	HZW-H10B-SK-2PL/R-PG16	83 312 010 016	PG16	Plastic and Metal					
	HZW-H10B-SK-2PL/M-M20	83 312 010 020	M20	Metal					
	HZW-H10B-SK-2PL/M-M25	83 312 010 025	M25	Metal					
	HZW-H10B-SK-2PL/M-PG16	83 312 010 016	PG16	Metal					



	SIGNATURE	DATE	Units	mm	 宁波欧科瑞连接器有限公司 NINGBO OKERUI CONNECTOR CO.,LTD.		
DRAW			Size	A4	TYPE NAME	HZW-H10B-SK-2PL/RM-M/PG	
DESIGN			Scale		Part number	83 312 010 XXX	REV
CHECK			Sheet	1/1	File path	OKR.10B.H10BM	A0
APPROVE			Proj.	