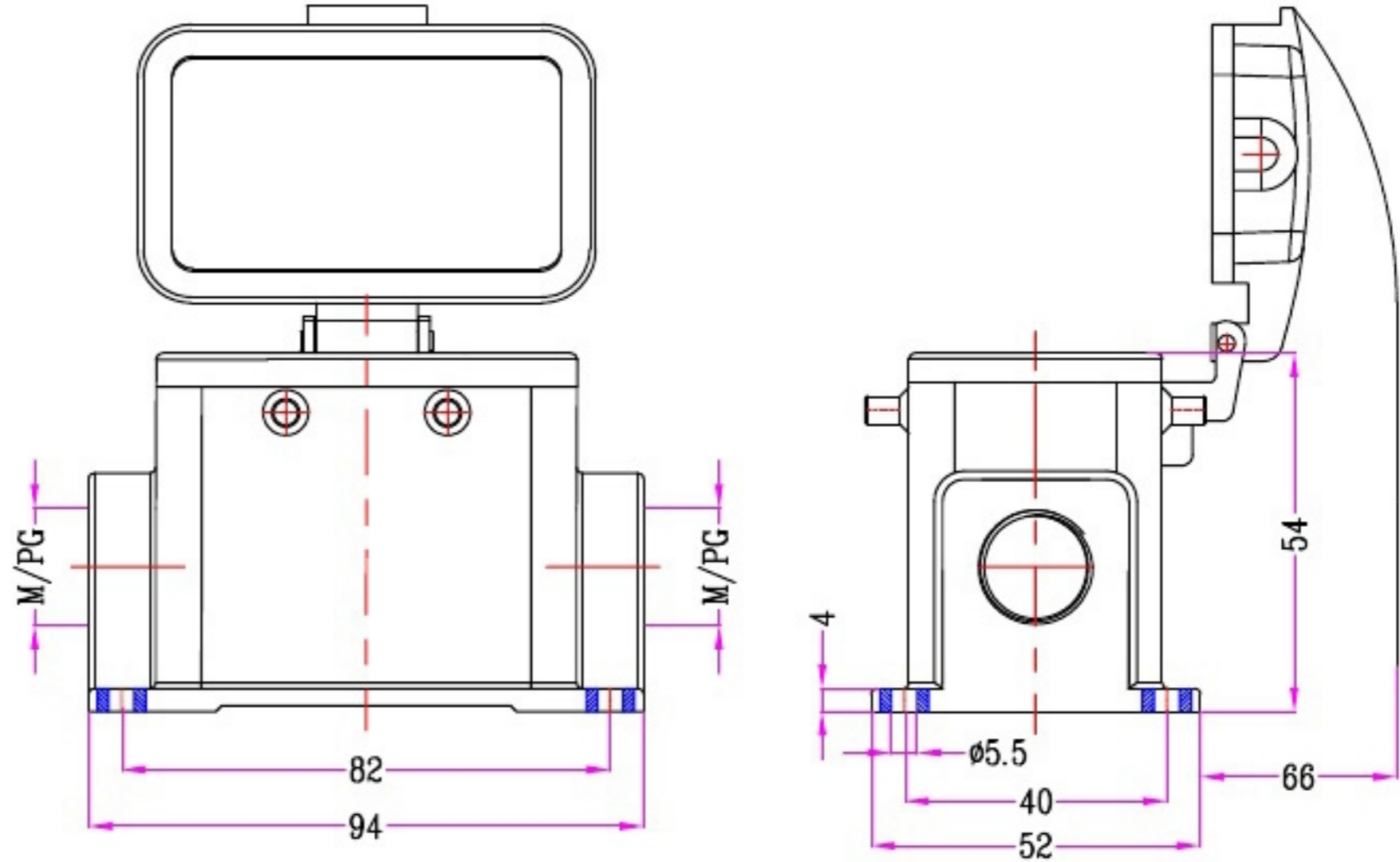



1	2	3	4	5	6	7	8
Identification	Type name	Part number	Thread(M/PG)	Lever type	Your Choice	REVISION DATA	
Housings Surface mounting With metal cover	HZW-H10B-SG-4g-MCV-M20	82 323 010 120	M20			SYM	ECN
	HZW-H10B-SG-4g-MCV-2M20	82 323 010 220	2M20			DESCRIPTION	DATE
	HZW-H10B-SG-4g-MCV-M25	82 323 010 125	M25			APPROVED	
	HZW-H10B-SG-4g-MCV-2M25	82 323 010 225	2M25				
	HZW-H10B-SG-4g-MCV-PG16	82 323 010 116	PG16				
	HZW-H10B-SG-4g-MCV-2PG16	82 323 010 216	2PG16				



	SIGNATURE	DATE	Units	mm	 宁波欧科瑞连接器有限公司 NINGBO OKERUI CONNECTOR CO.,LTD.		
DRAW			Size	A4	TYPE NAME	HZW-H10B-SG-4g-MCV-M/PG	
DESIGN			Scale		Part number	82 323 010 XXX	REV
CHECK			Sheet	1/1	File path	OKR.10B.H10BL	A0
APPROVE			Proj.	