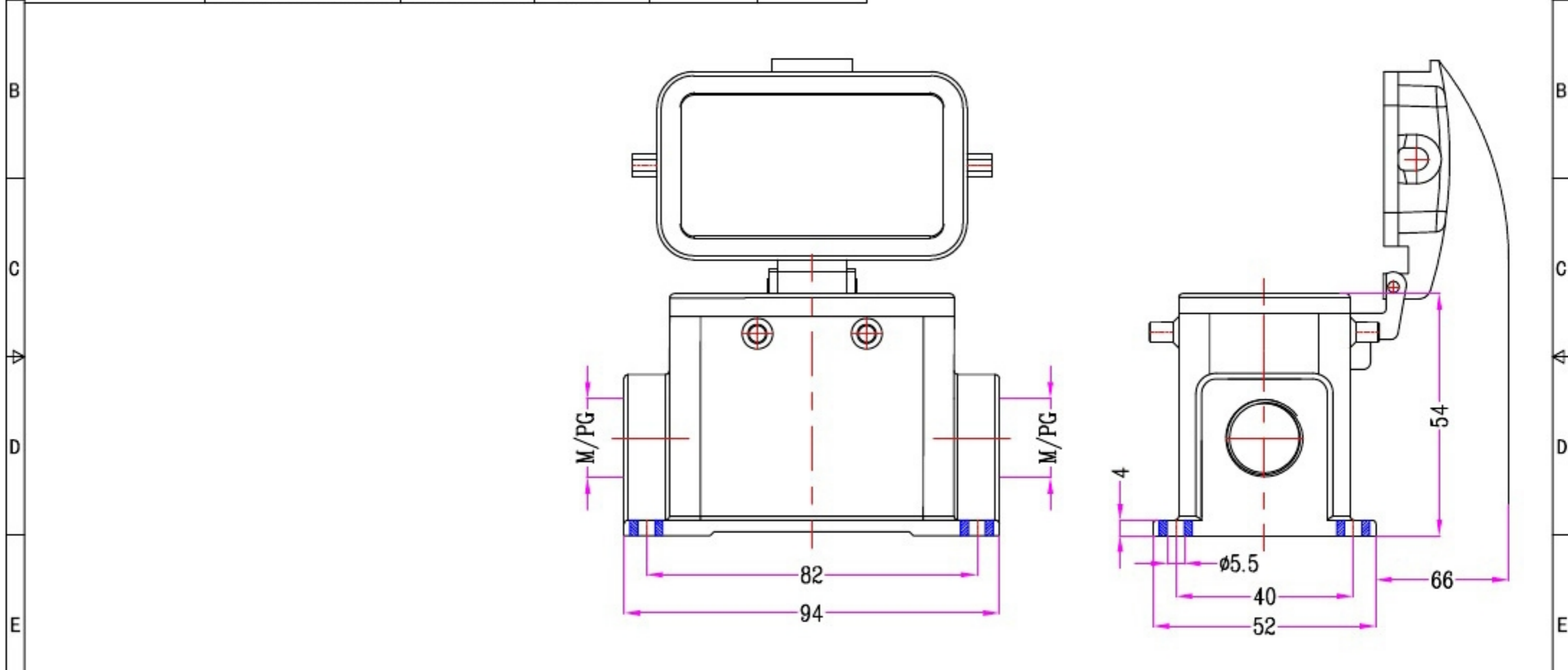



1	2	3	4	5	6	7	8		
Identification	Type name	Part number	Thread(M/PG)	Lever type	REVISION DATA			Your Choice	
Housings Surface mounting With thermo-Plastic cover	HZW-H10B-SG-4g-CV-M20	82 322 010 120	M20		SYM	ECN	DESCRIPTION	DATE	APPROVED
	HZW-H10B-SG-4g-CV-2M20	82 322 010 220	2M20						
	HZW-H10B-SG-4g-CV-M25	82 322 010 125	M25						
	HZW-H10B-SG-4g-CV-2M25	82 322 010 225	2M25						
	HZW-H10B-SG-4g-CV-PG16	82 322 010 116	PG16						
	HZW-H10B-SG-4g-CV-2PG16	82 322 010 216	2PG16						



	SIGNATURE	DATE	Units	mm	 宁波欧科瑞连接器有限公司 NINGBO OKERUI CONNECTOR CO.,LTD.		
DRAW			Size	A4	TYPE NAME	HZW-H10B-SG-4g-CV-M/PG	
DESIGN			Scale		Part number	82 322 010 XXX	REV
CHECK			Sheet	1/1	File path	OKR.10B.H10BL	A0
APPROVE			Proj.	