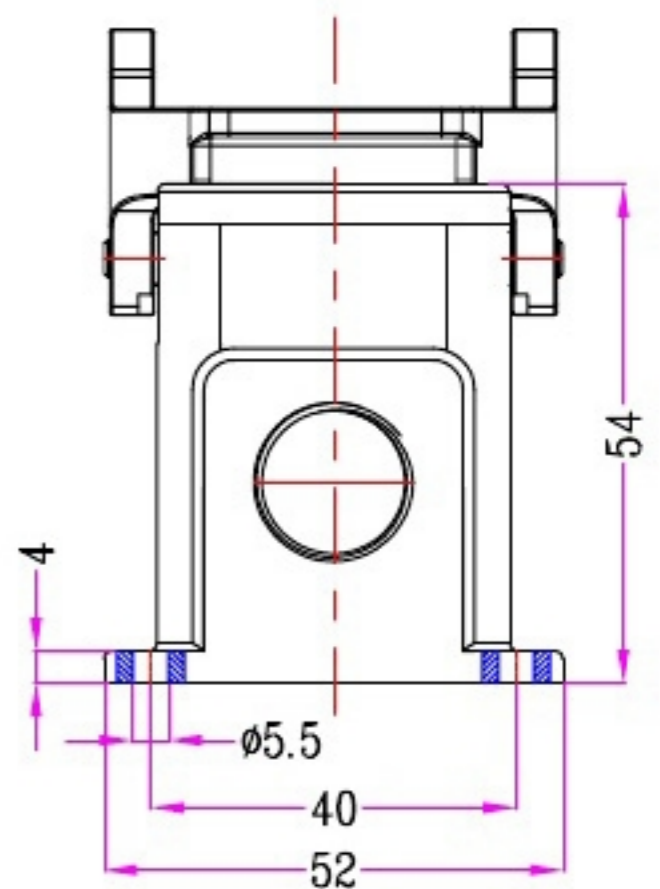
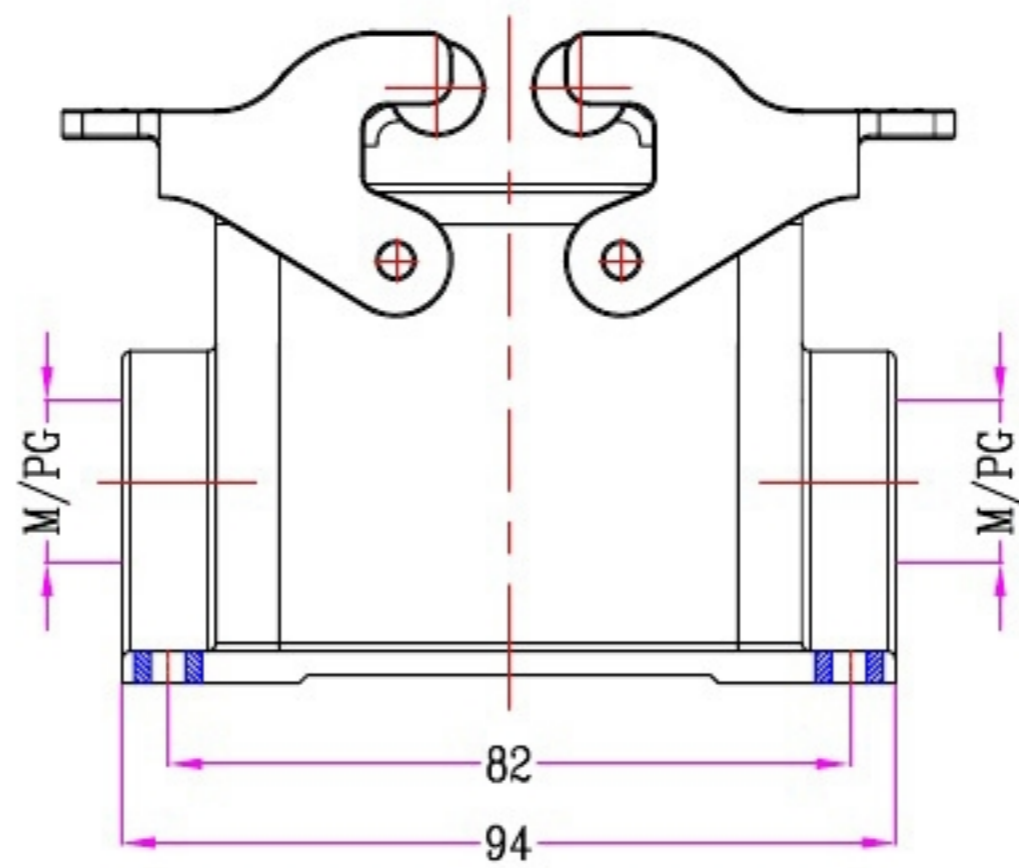



1	2	3	4	5	6	7	8			
Identification	Type name	Part number	Thread(M/PG)	Lever type	Your Choice	REVISION DATA				
Housings Surface mounting	HZW-H10B-SG-2PL/R-M20	81 322 010 120	M20	Plastic and Metal		SYM	ECN	DESCRIPTION	DATE	APPROVED
	HZW-H10B-SG-2PL/R-2M20	81 322 010 220	2M20	Plastic and Metal						
	HZW-H10B-SG-2PL/R-M25	81 322 010 125	M25	Plastic and Metal						
	HZW-H10B-SG-2PL/R-2M25	81 322 010 225	2M25	Plastic and Metal						
	HZW-H10B-SG-2PL/R-PG16	81 322 010 116	PG16	Plastic and Metal						
	HZW-H10B-SG-2PL/R-2PG16	81 322 010 216	2PG16	Plastic and Metal						
	HZW-H10B-SG-2PL/M-M20	81 322 010 120	M20	Metal						
	HZW-H10B-SG-2PL/M-2M20	81 322 010 220	2M20	Metal						
	HZW-H10B-SG-2PL/M-M25	81 322 010 125	M25	Metal						
	HZW-H10B-SG-2PL/M-2M25	81 322 010 225	2M25	Metal						
	HZW-H10B-SG-2PL/M-PG16	81 322 010 116	PG16	Metal						
	HZW-H10B-SG-2PL/M-2PG16	81 322 010 216	2PG16	Metal						



	SIGNATURE	DATE	Units	mm	 宁波欧科瑞连接器有限公司 NINGBO OKERUI CONNECTOR CO.,LTD.	
DRAW			Size	A4	TYPE NAME	HZW-H10B-SG-2PL/RM-M/PG
DESIGN			Scale		Part number	81 322 010 XXX REV
CHECK			Sheet	1/1	File path	OKR.10B.H10BL A0
APPROVE			Proj.	