

1 2 3 4 5 6 7 8

REVISION DATA				
SYM	ECN	DESCRIPTION	DATE	APPROVED

A

A

B

B

C

C

D

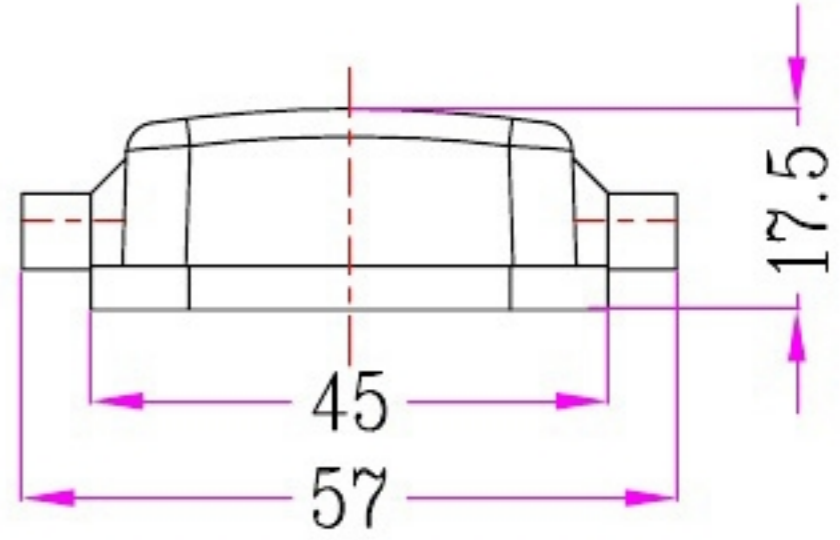
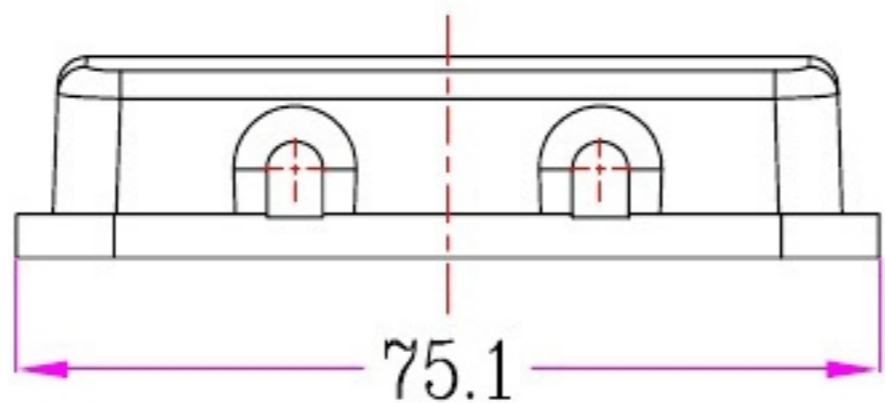
D


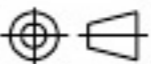
E

E

F

F



	SIGNATURE	DATE	Units	mm	 宁波欧科瑞连接器有限公司 NINGBO OUKERUI CONNECTOR CO.,LTD.		
DRAW			Size	A4			
DESIGN			Scale		TYPE NAME	HZW-H10B-CV-4g	
CHECK			Sheet	1/1	Part number	81 302 010 222	REV
APPROVE			Proj.		File path	OKR.10B.H10BV	A0

1 2 3 4 5 6 7 8