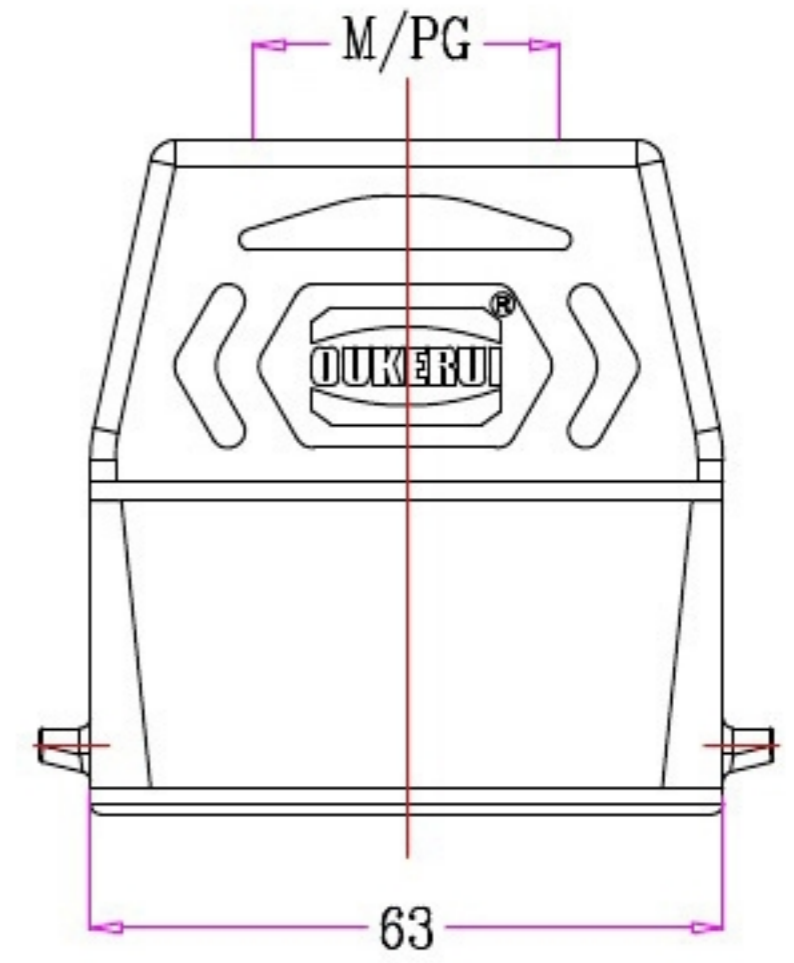
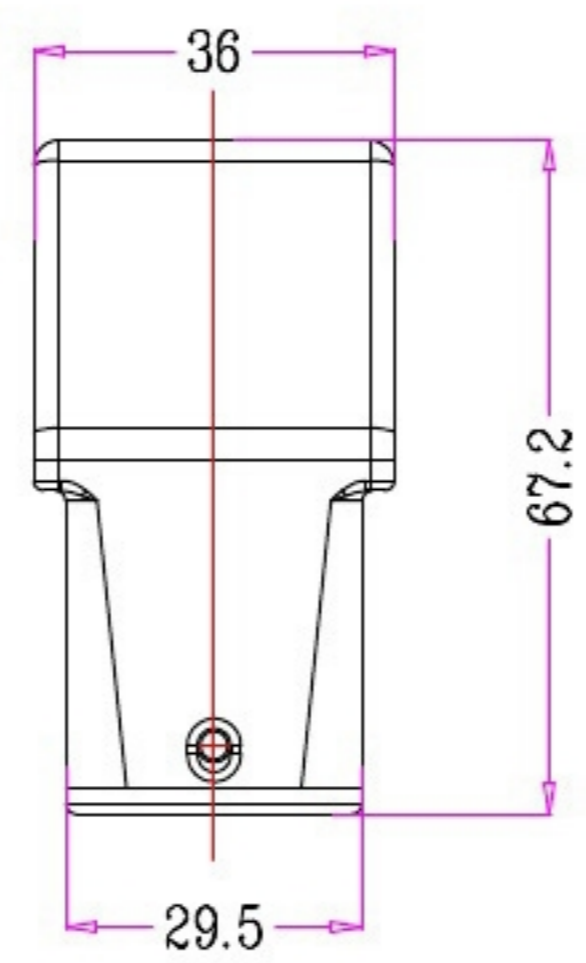

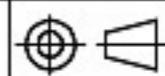


| 1                                    | 2                    | 3              | 4             | 5           |
|--------------------------------------|----------------------|----------------|---------------|-------------|
| Identification                       | Type name            | Part number    | Thread (M/PG) | Your Choice |
| Hoods<br>Top entry<br>High structure | HZW-H10A-TKH-2g-M25  | 81 212 010 125 | M25           |             |
|                                      | HZW-H10A-TKH-2g-PG16 | 81 212 010 116 | PG16          |             |
|                                      | HZW-H10A-TKH-2g-PG21 | 81 212 010 121 | PG21          |             |

| REVISION DATA |     |             |      |          |
|---------------|-----|-------------|------|----------|
| 6             | 7   | 8           | 9    | 10       |
| SYM           | ECN | DESCRIPTION | DATE | APPROVED |
|               |     |             |      |          |
|               |     |             |      |          |



|         |           |      |       |   |  |                             |
|---------|-----------|------|-------|---|--|-----------------------------|
|         | SIGNATURE | DATE | Units | mm  |  <b>宁波欧科瑞连接器有限公司</b><br>NINGBO OUKERUI CONNECTOR CO.,LTD. |                             |
| DRAW    |           |      | Size  | A4  |  |                             |
| DESIGN  |           |      | Scale | 1:1   | TYPE NAME  | <b>HZW-H10A-TKH-2g-M/PG</b> |
| CHECK   |           |      | Sheet | 1/1   | Part number  | <b>81 212 010 XXX</b> REV   |
| APPROVE |           |      | Proj. |  | File path  | OKR_10A_H10AM AO            |