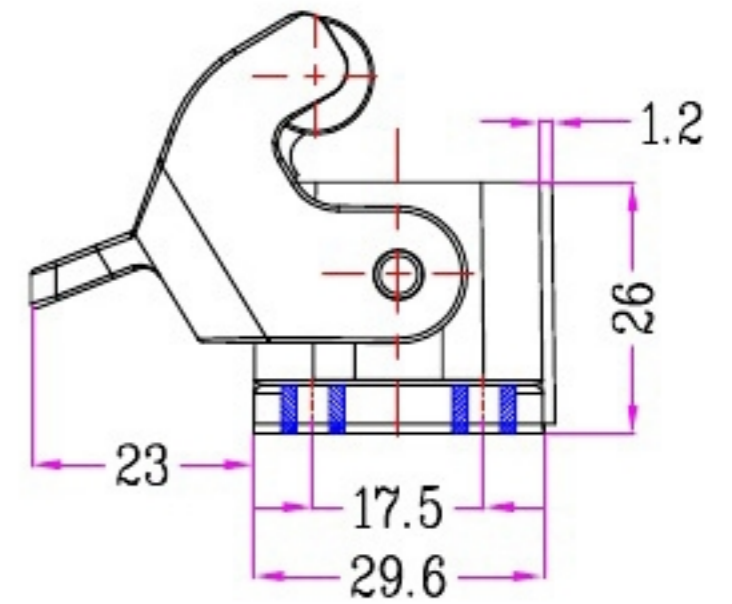
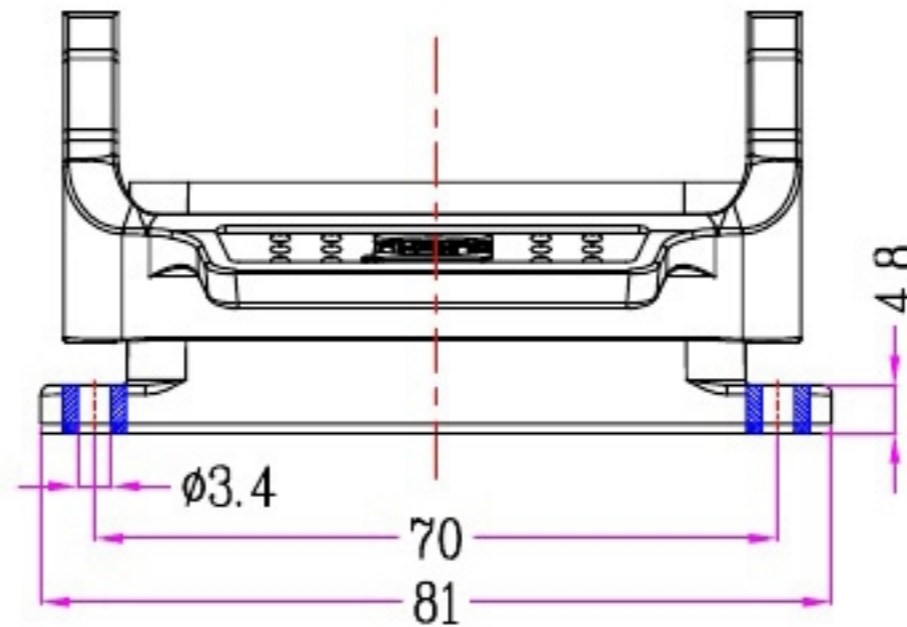
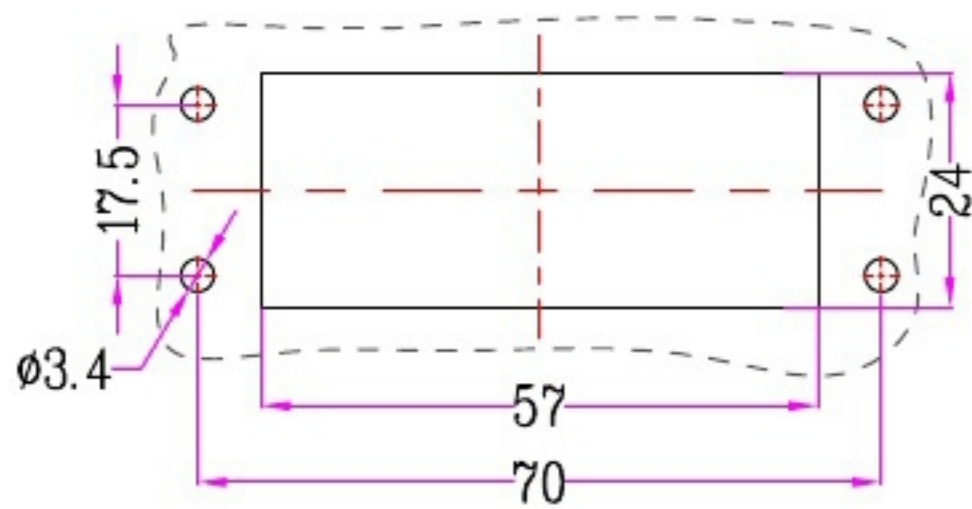



REVISION DATA				
SYM	ECN	DESCRIPTION	DATE	APPROVED



Bulkhead mounting
Panel cut out



	SIGNATURE	DATE	Units	mm	 宁波欧科瑞连接器有限公司 NINGBO OKERUI CONNECTOR CO.,LTD.	
DRAW			Size	A4	TYPE NAME	HZW-H10A-ST-1PL
DESIGN			Scale	1:1	Part number	81 231 010 101 REV
CHECK			Sheet	1/1	File path	OKR.10A.H10AL A0
APPROVE			Proj.	