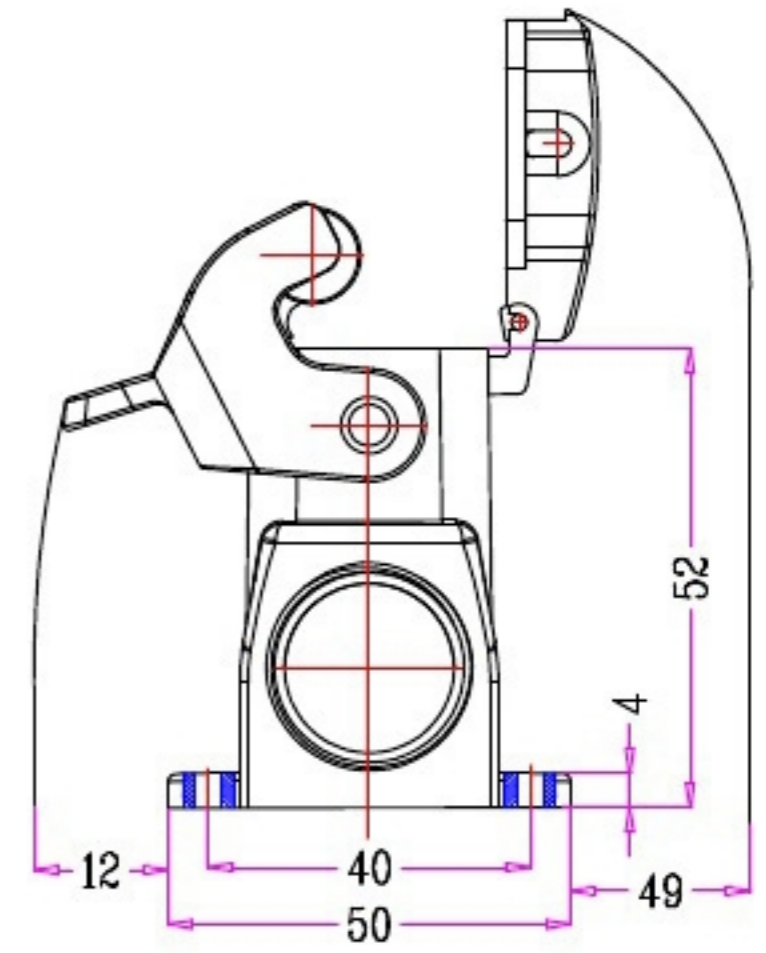
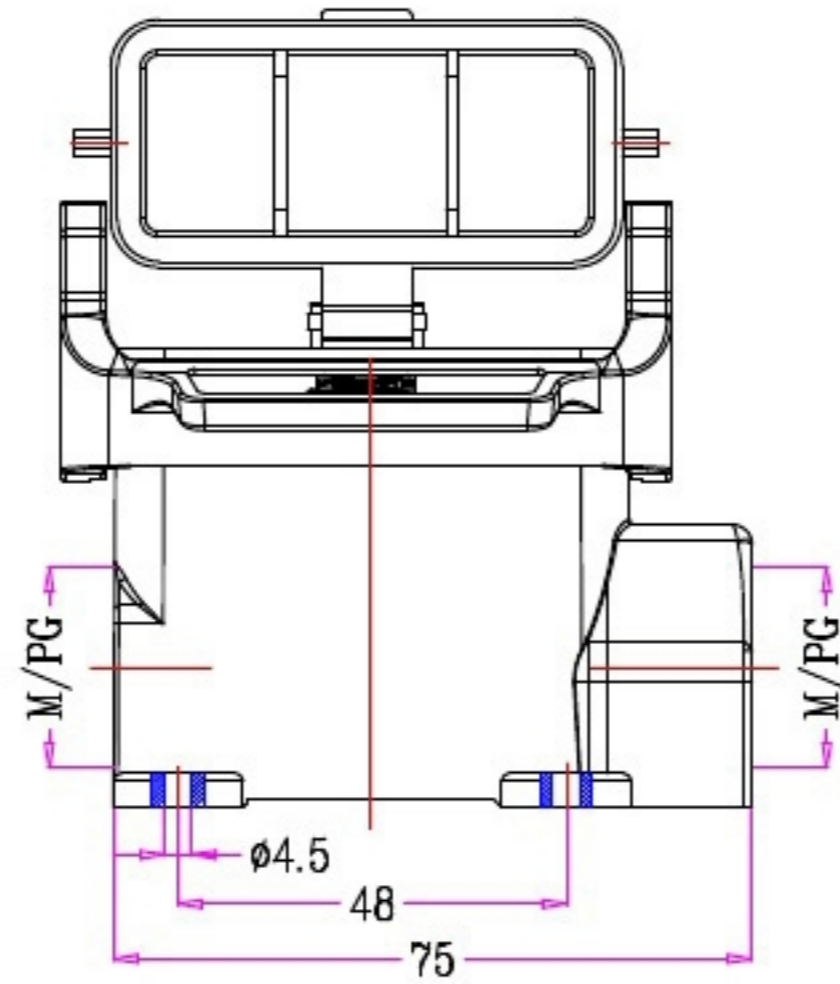

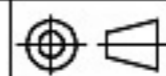


1	2	3	4	5
Identification	Type name	Part number	Thread (M/PG)	Your Choice
A Housings Surface mounting	HZW-H10A-SG-CV-1PL-M20	81 232 010 120	M20	
	HZW-H10A-SG-CV-1PL-M25	81 232 010 125	M25	
	HZW-H10A-SG-CV-1PL-2M20	81 232 010 220	2M20	
	HZW-H10A-SG-CV-1PL-PG16	81 232 010 116	PG16	
	HZW-H10A-SG-CV-1PL-2PG16	81 232 010 216	2PG16	
	HZW-H10A-SG-CV-1PL-PG21	81 232 010 121	PG21	

REVISION DATA				
6	7	8	9	10
SYM	ECN	DESCRIPTION	DATE	APPROVED



	SIGNATURE	DATE	Units	mm	 宁波欧科瑞连接器有限公司 NINGBO OUKERUI CONNECTOR CO.,LTD.
DRAW			Size	A4	
DESIGN			Scale	1, 25:1	TYPE NAME HZW-H10A-SG-CV-1PL-M/PG
CHECK			Sheet	1/1	Part number 81 232 010 XXX REV
APPROVE			Proj.		File path OKR, 10A, H10AL AO