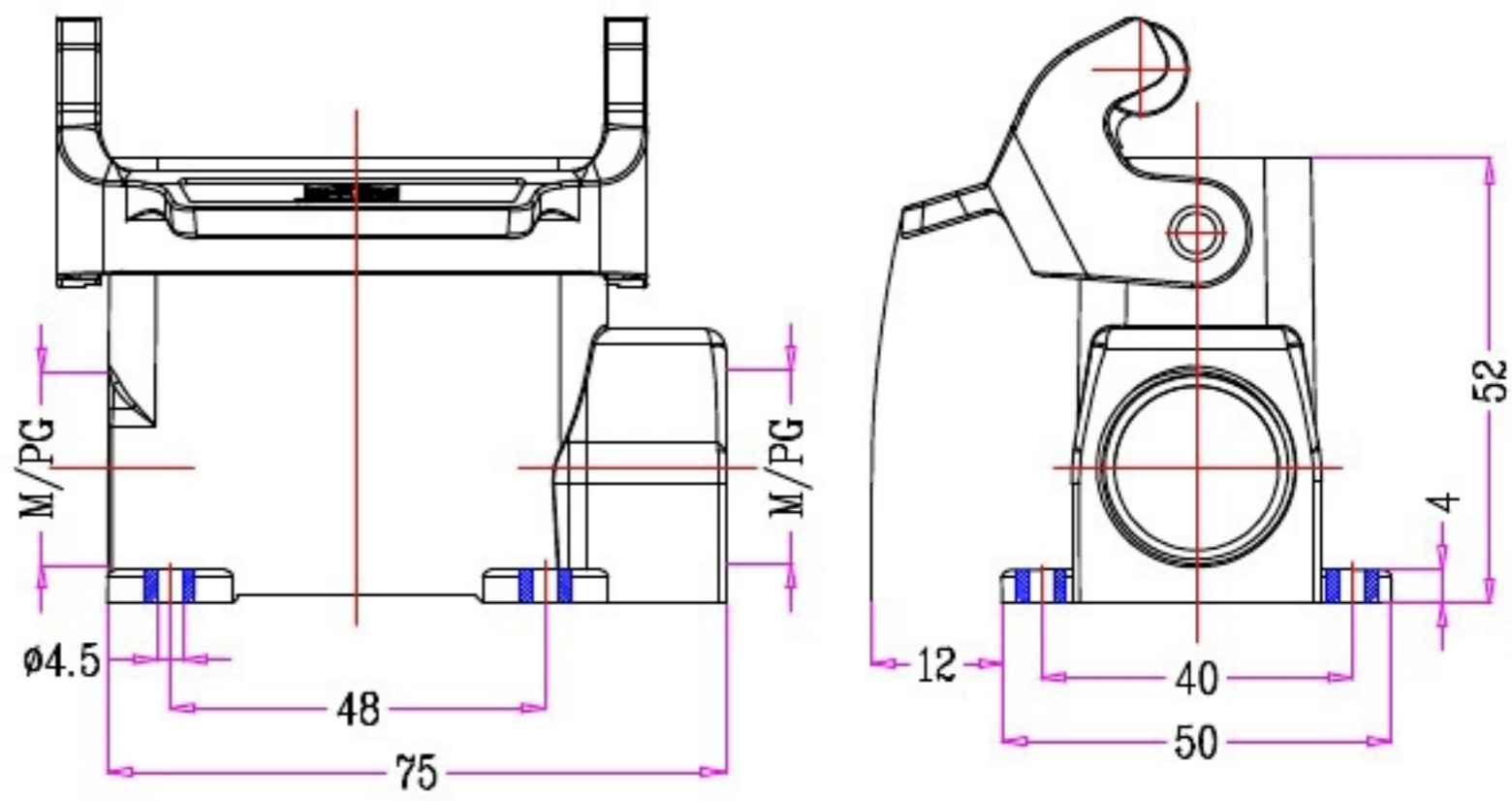



1	2		3	4	5	6	7	8			
Identification	Type name		Part number	Thread (M/PG)	Your Choice	REVISION DATA					
A Housings Surface mounting	HZW-H10A-SG-1PL-M20		81 231 010 120	M20		SYM	ECN	DESCRIPTION	DATE	APPROVED	
	HZW-H10A-SG-1PL-M25		81 231 010 125	M25							
	HZW-H10A-SG-1PL-2M20		81 231 010 220	2M20							
	HZW-H10A-SG-1PL-PG16		81 231 010 116	PG16							
	HZW-H10A-SG-1PL-2PG16		81 231 010 216	2PG16							
	HZW-H10A-SG-1PL-PG21		81 231 010 121	PG21							



	SIGNATURE	DATE	Units	mm	 宁波欧科瑞连接器有限公司 NINGBO OUKERUI CONNECTOR CO.,LTD.	
DRAW			Size	A4	TYPE NAME HZW-H10A-SG-1PL-M/PG	
DESIGN			Scale	1.25:1	Part number 81 231 010 XXX REV	
CHECK			Sheet	1/1	File path OKR_10A_H10AL AO	
APPROVE			Proj.	